

**230**  
VOLT

BOLLARD

# T-STOP

resistance to impact up to 29.000 J



## T-STOP1404-5

Oil-hydraulic bollard, diameter 140 mm, stroke 500 mm, wall thickness 4 mm, complete with formwork.

## T-STOP1404-7

Oil-hydraulic bollard, diameter 140 mm, stroke 700 mm, wall thickness 4 mm, complete with formwork.

## T-STOP1412-5

Oil-hydraulic bollard, diameter 140 mm, stroke 500 mm, wall thickness 12 mm, complete with formwork.

## T-STOP1412-7

Oil-hydraulic bollard, diameter 140 mm, stroke 700 mm, wall thickness 12 mm, complete with formwork.

## T-STOP2004-5

Oil-hydraulic bollard, diameter 200 mm, stroke 500 mm, wall thickness 4 mm, complete with formwork.

## T-STOP2004-7

Hydraulic bollard, diameter 200 mm, stroke 700 mm, wall thickness 4 mm, complete with formwork.

## T-STOP2012-5

Oil-hydraulic bollard, diameter 200 mm, stroke 500 mm, wall thickness 12 mm, complete with formwork.

## T-STOP2012-7

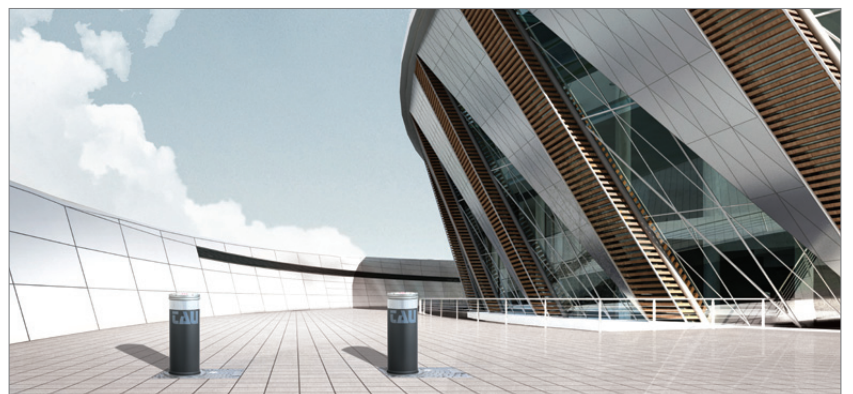
Oil-hydraulic bollard, diameter 200 mm, stroke 700 mm, wall thickness 12 mm, complete with formwork.

## T-STOP3012-7

Oil-hydraulic bollard, diameter 270 mm, stroke 700 mm, wall thickness 12 mm, complete with formwork.

### Specifications:

- Bollard complete with formwork
- Removable single-body casing, carbon steel tube, built-in oil-hydraulic pump, LED flashing light and room for cables connection box
- High quality carbon steel tube (type 304 stainless steel available on request)
- Hot-dip galvanized bollard
- Reflective strip



## Accessories



**800TSSSEN**  
Sensitive head (pressure activated safety device) for T-STOP14



**800TSSSEN30**  
Sensitive head (pressure activated safety device) for T-STOP30



**800TSPROG**  
Single electronic control unit, built-in 433,92 MHz radio receiver, solenoid and traffic light, complete with IP56 box



**800TSPROG 4**  
Electronic control unit for up to 4 bollards, built-in 433,92 MHz radio receiver, solenoid and traffic light, complete with IP56 box



**800TTSCH**  
Security pump lock (T-STOP14/20)



**800TSSSEN20**  
Sensitive head (pressure activated safety device) for T-STOP20



**800TTSVAL**  
Solenoid for automatic lowering in case of a power failure for T-STOP14/20



**800TTSVAL30**  
Solenoid for automatic lowering in case of a power failure for T-STOP30



**800TTSRAE**  
Siren sensor to detect sounds emitted from emergency vehicles. It is necessary to specify the country in which the bollard will be installed.



**800TTSCH30**  
Security pump lock (T-STOP30)



**800TTSRES**  
Heater kit 250W 230V for low temperature, complete with bracket and 1,5m cable to insert in the bollard (T-STOP14/20)



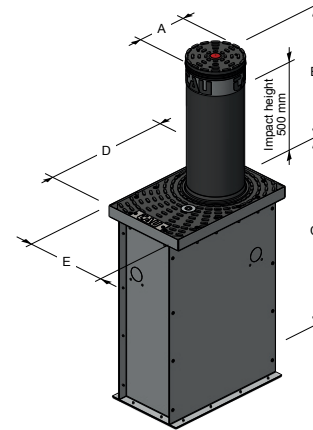
**800TTSRES30**  
Heater kit 250W 230V for low temperature, complete with bracket and 1,5m cable to insert in the bollard (T-STOP30)



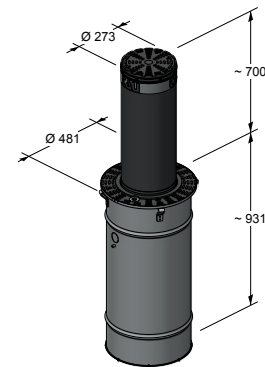
**800TTSAC**  
Acoustic 230 V IP67 alarm with 0,2 m cable to insert in the bollard (T-STOP14/20)



**800TTSAC30**  
Acoustic 230 V IP67 alarm with 0,2 m cable to insert in the bollard (T-STOP30)



	A	B	C	D	E
T-STOP14	140	500/700	738/938	443	260
T-STOP20	200	500/700	740/930	508	328



T-STOP30

	Voltage	Diameter	Stroke	Wall Thickness	Manual Emergency Release	Lifting speed	Lowering speed	Resistance to Impact	Weight	LED Light	Sensitive Head	Solenoid	Stainless Steel Coating
T-STOP1404-5	230 V	140 mm	500 mm	4 mm	•	4sec	3sec	56.000 J	52 Kg	•	optional	-	-
T-STOP1404-7	230 V	140 mm	700 mm	4 mm	•	5sec	4sec	56.000 J	62 Kg	•	optional	-	-
T-STOP1412-5	230 V	140 mm	500 mm	12 mm	•	4sec	3sec	112.000 J	75 Kg	•	optional	optional	-
T-STOP1412-7	230 V	140 mm	700 mm	12 mm	•	5sec	4sec	112.000 J	86 Kg	•	optional	optional	-
T-STOP2004-5	230 V	200 mm	500 mm	4 mm	•	4sec	3sec	111.000 J	70 Kg	•	optional	-	-
T-STOP2004-7	230 V	200 mm	700 mm	4 mm	•	5sec	4sec	111.000 J	81 Kg	•	optional	-	-
T-STOP2012-5	230 V	200 mm	500 mm	12 mm	•	4sec	3sec	242.000 J	98 Kg	•	optional	optional	-
T-STOP2012-7	230 V	200 mm	700 mm	12 mm	•	5sec	4sec	242.000 J	117 Kg	•	optional	optional	-
T-STOP3012-7	230 V	270 mm	700 mm	12 mm	•	5sec	4sec	482.000 J	180 Kg	•	optional	optional	optional