

**12**  
VOLT

# INDUSTRIAL OPERATOR BIUNO-BT

For swing and folding doors.  
Opening from 11 to 16 sec.



## 650BIUNO-BT Dx/Sx

Irreversible gear motor for swing or folding doors in low voltage with encoder, complete with fixing bracket to the door (arm excluded)

## 650BIUNO-BTR Dx/Sx



Irreversible fast gearmotor for swing or folding doors in low voltage with encoder, complete with fixing bracket to the door (arm excluded)

### Features:

- commercial use
- low voltage DC motor
- optical encoder technology

### Pros:

- obstacle detection and crush prevention
- in accordance with EN 12453 standards
- works even during power outage thanks to the optional backup battery
- fast operating speed
- intensive use
- soft start and soft stop
- irreversible door operator
- adaptive controller for the different seal problems
- self-adjusting gate stroke through optical encoder

### Technical features

	BIUNO-BT	BIUNO-BTR
Power supply	230 V AC (50 - 60 Hz)	230 V AC (50 - 60 Hz)
Motor power supply	18 V DC	24 V DC
Open circuit voltage	1 A	1 A
Power rating	250 W	250 W
Duty cycle	100 %	100 %
Max. torque	395 Nm	395 Nm
Operating temperature	-20° C ÷ +55° C	-20° C ÷ +55° C
Motor thermal protection	-	-
Degree of protection	IP 40	IP 40
Opening time 90°	16 sec.	11 sec.
Reduction ratio	1/672	1/672
Maximum folding door width	1,2 m or 1,5 m	1,2 m or 1,5 m
Maximum swing door width	2 m	2 m



The above represented installation does not include safety devices such as safety edges. Their addition depends upon the risk assessment made on any installation in accordance with EN 12453 standards.



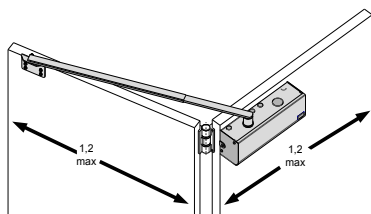
MADE IN ITALY



### Guide to the selection of the transmission system

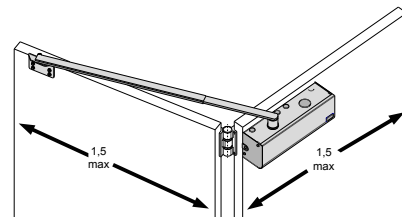
650BTB1

Telescopic arm for folding doors up to 1.2 m



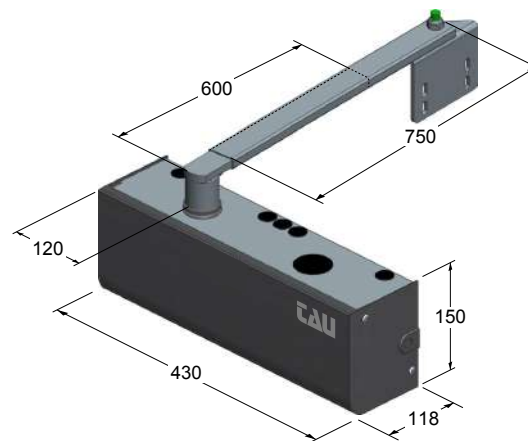
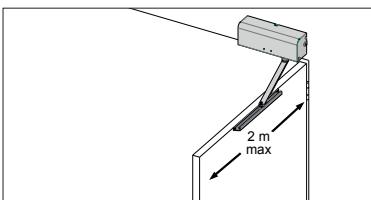
650BTB1L

Telescopic arm for folding doors up to 1.5 m



650BRCEB1

Transmission arm with sliding guide for swing doors up to 2 m



### Accessories



750D749MA

Electronic control unit for one or two DC gate operators with encoder, complete with 433,92 Mhz rolling code radio receiver, battery charger, transformer and enclosure



750D749MA-R

Electronic control unit for 1-2 DC fast operators with encoder. Same equipment of D749MA control unit



750COP2

Control unit box cover with 2 command buttons



750COP3

Control unit box cover with 3 command buttons



550MS

Release system



650SVB1

External release with knob



200BATT

12 V back-up battery, 7,2 Ah with cable



M-030KITKB20

Battery cables kit (20 pcs)



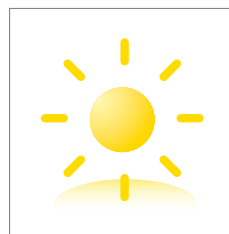
300PPI

Heavy duty pushbutton panel



C-CRT

Warning signal



#### Solar power

Thanks to the Photovoltaic (PV) Technology, every low voltage DC gate operator can be solar powered. Discover the advantages of the solar energy at page 138



#### Further accessories:

Transmitters page 118  
Photocells page 124  
Flashing lights page 127