

INDUSTRIAL OPERATOR

BIUNO

BIUNO

230 V

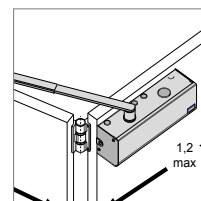
For swing and
folding doors

Opening
time
19 s



650BIUNO dx/sx

230 Volt irreversible gear motor, for swing and folding doors, complete with fixing bracket to the door (arm excluded).



**Accessories for
BIUNO series**
Page 156



Further accessories:
Transmitters page 234
Photocells page 239
Flashing lights page
242

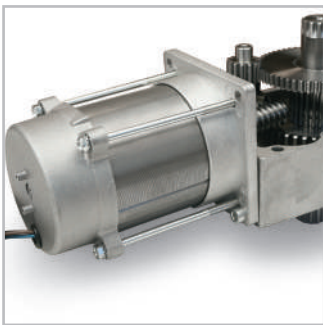


FEATURES:

- commercial use
- built-in electrical limit switches

PROS:

- semi-intensive use
- high torque and power
- strong telescopic arm



MORE POWER

230 Volt single-phase gear-motor protected by thermocouple for an increased thrust and power.



GEARS

A reduction of seven gears, entirely of carbon steel, guarantees absolute torque and resistance.



TOTAL CONNECT

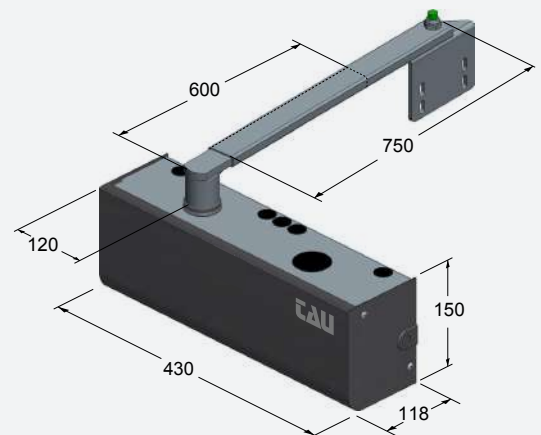
By combining the 250TCONNECT module, it is possible to control the automation remotely via your smartphone.

TECHNICAL DRAWINGS

Technical features

BIUNO

Power supply	230 V AC (50 - 60 Hz)
Motor power supply	230 V AC
Open circuit voltage	1 A
Power rating	190 W
Max. torque	350 N m
Operating temperature	-20° C ÷ +55° C
Motor thermal protection	150°C
Degree of protection IP	IP 40
Opening time 90°	19 s
Reduction ratio	1/672
Maximum folding door width	1,5 m
Maximum swing door width	2 m

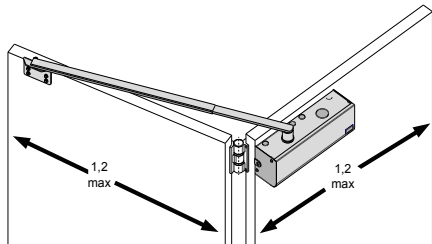


ACCESSORIES

GUIDE TO THE SELECTION OF THE TRANSMISSION SYSTEM

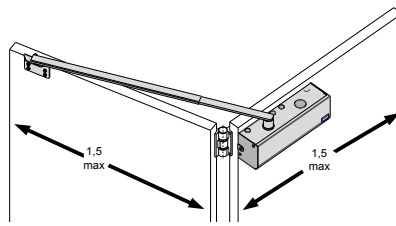
650BTB1

Telescopic arm for folding doors up to 1.2 m



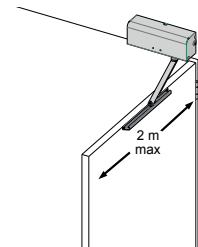
650BTB1L

Telescopic arm for folding doors up to 1.5 m



650BRCEB1

Transmission arm with sliding guide for swing doors up to 2 m



COMMON ACCESSORIES



750COP2

Control unit box cover with 2 command buttons



750COP3

Control unit box cover with 3 command buttons



300PPI

Heavy duty pushbutton panel



650SVB1

External release with knob



550MS

Release system



900VLED

Low voltage 12-18-24 Volt white led flashing light



C-CRT

Warning signal



250T-WIFI

Device for Wi-Fi connection 2,4 GHz to allow the smartphone to remotely control and program the control units via TauApp



900OPTIC

Set of infrared safety photocells, 12/24 V, surface mount, beam alignment adjustable up to 15°, up to 20 m range



250T-CONNECT

Ethernet + Wi-Fi device - to enable through Tau Open application, the use of the smartphone remotely, to open/close and check the status of the gate

NEW

ACCESSORIES FOR 18/24 VOLT



750D749MA

Electronic control unit for one or two DC gate operators with encoder, complete with 433,92 MHz rolling code radio receiver, battery charger, transformer and enclosure



750D749MA-R

Electronic control unit for 1-2 DC fast operators with encoder. Same equipment of D749MA control unit



200BATT

12 V back-up battery, 7,2 Ah with cable



K-030KITKB20

Battery cables kit (20 pcs)

ACCESSORIES FOR 230 VOLT



750D770M

Electronic control unit for one or two 230 V gate operators with soft-stop and built-in 433,92 MHz rolling code radio receiver, complete with enclosure

Use and maintenance manuals



BIUNO



D749MA



D749MA-R



D770M