

230
VOLT

INDUSTRIAL OPERATOR

BIUNO

For swing and folding doors
Opening in 19 sec.



650BIUNO Dx/Sx

230 Volt irreversible gear motor, for swing and folding doors, complete with fixing bracket to the door (arm excluded)

Features:

- commercial use
- built-in electrical limit switches

Pros:

- semi-intensive use
- high torque and power
- strong telescopic arm

Technical features

	BIUNO
Power supply	230 V AC (50 - 60 Hz)
Motor power supply	230 V AC
Absorption	1 A
Power rating	190 W
Duty cycle	50 %
Max. torque	350 Nm
Operating temperature	-20° C ÷ +55° C
Motor thermal protection	150° C
Degree of protection	IP 40
Opening time 90°	19 sec.
Reduction ratio	1/672
Maximum folding door width	1,2 m or 1,5 m
Maximum swing door width	2 m



The above represented installation does not include safety devices such as safety edges. Their addition depends upon the risk assessment made on any installation in accordance with EN 12453 standards.

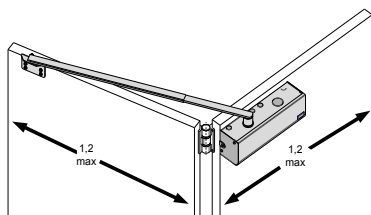


MADE IN ITALY

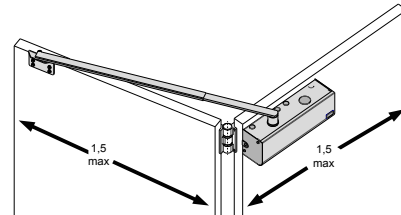


Guide to the selection of the transmission system

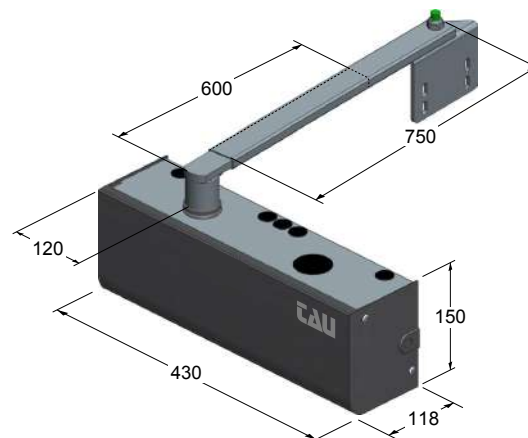
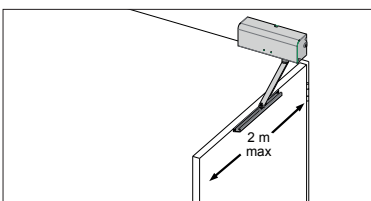
650BTB1
Telescopic arm for folding doors up to 1.2 m



650BTB1L
Telescopic arm for folding doors up to 1.5 m



650BRCEB1
Transmission arm with sliding guide for swing doors up to 2 m



Accessories



550MS
Release mechanism



750D770M
Electronic control unit for one or two 230 V gate operators with soft-stop and built-in 433,92 MHz rolling code radio receiver, complete with enclosure



650SVB1
External release with knob



750COP2
Control unit box cover with 2 command buttons



C-TARG
Aluminium CE Mark Label, self adhesive



750COP3
Control unit box cover with 3 command buttons



C-CRT
Warning signal



300PPI
Heavy duty pushbutton panel



Further accessories:
Transmitters page 118
Photocells page 124
Flashing lights page 127