

**230/400
VOLT**

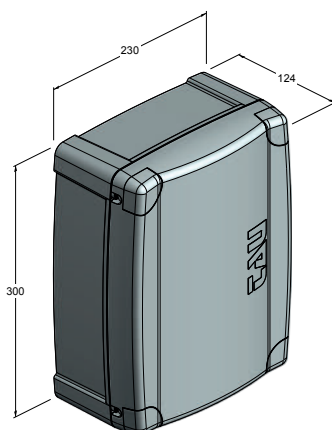
ELECTRONIC CONTROL UNIT

D703

For commercial sliding gate operators

600D703

230/400 V electronic control unit for one gate operator with electrical brake, complete with enclosure



Programmable Functions

D703

Automatic operation	✓
Semiautomatic operation	✓
Man present functions	✓
Pre-flashing disable	✓
Gate open led with proportional flashing	✓
Gate open led	✓
Limit switch	✓
Photocell test at start of manoeuvre	✓
Disable photocell test	✓
Twin pair of photocells	✓
Close 5 secs after photocells	✓
Working time (TL) adjustment	✓
Gate open time (TCA) adjustment	✓
Gate open time (TCA) disable	✓
Delay wing closing	✓
Electronic force adjustment	✓
Automatic realignment after black-out	✓
Step-by-step operation (openstop-close-stop-open)	✓
No reverse in opening manoeuvre	✓
Pedestrian feature	✓
Clock function	✓
Encoder	✓
Built-in radio card	✓
Slow-down	✓
Receiver preset for digital keypads	✓

Accessories



750CUP
Control unit enclosure
protective lid



750COL
Control unit mounting post



750COP2
Control unit box cover with
2 command buttons



750COP3
Control unit box cover with
3 command buttons

Outputs-Inputs

D703

M1 output	✓
M2 output	✓
Flashing light output	✓
Courtesy light output	✓
Electric lock output	✓
Gate open LED output	✓
12 Vdc output for auxiliaries	✓
24 Vac output for auxiliaries	✓
Internal photocell FTI output	✓
External photocell FTE output	✓
Open/close input	✓
Pedestrian input	✓
Stop input	✓
Open button input	✓
Close button input	✓
Sensitive edge input	✓