

12 VOLT

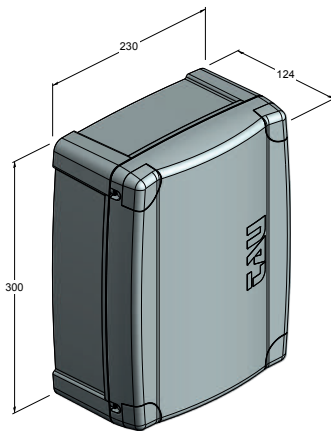
ELECTRONIC CONTROL UNIT D749MA



For swing gate operators

750D749MA

Electronic control unit for one or two DC gate operators with encoder, complete with 433,92 Mhz rolling code radio receiver, battery charger, transformer and enclosure



Programmable Functions

D749MA

Automatic operation	✓
Semiautomatic operation	✓
Man present functions	✓
Pre-flashing disable	✓
Gate open led with proportional flashing	✓
Gate open led	✓
Programming with TauApp (250T-WIFI)	✓
Running with TauOpen (250T-CONNECT)	✓
Programming through TAUPROG handheld device / 250T-WIFI	✓
Photozell test at start of manoeuvre	✓
Disable photozell test	✓
Twin pair of photocells	✓
Close 5 secs after photocells	✓
Working time (TL) adjustment	✓
Gate open time (TCA) adjustment	✓
Gate open time (TCA) disable	✓
Delay wing closing	✓
Electronic force adjustment	✓
Automatic realignment after black-out	✓
Step-by-step operation (openstop-close-stop-open)	✓
No reverse in opening manoeuvre	✓
Pedestrian feature	✓
Clock function	✓
Encoder	✓
Built-in radio card	✓
Slow-down	✓
Receiver preset for digital keypads	✓

Accessories



200BATT
12 V Battery, 7,2 Ah with cable



M-030KITKB20
Battery cables kit (20 pcs)



250SM126
Memory card for 126 radio codes



750CUP
Control unit enclosure protective lid



750COL
Control unit mounting post



250SM254
Memory card for 254 radio codes

Outputs-Inputs

D749MA

M1 output	✓
M2 output	✓
Flashing light output	✓
Courtesy light output	*
Electric lock output	✓
Gate open LED output	✓
12 Vdc output for auxiliaries	✓
24 Vdc output for auxiliaries	✓
Internal photozell FTI output	✓
External photozell FTE output	✓
Open/close input	✓
Pedestrian input	✓
Stop input	✓
Open button input	*
Close button input	*
Sensitive edge input	✓

* It is possible to programme its operation through TAUPROG handheld device