



# ELECTRONIC CONTROL UNIT D770M

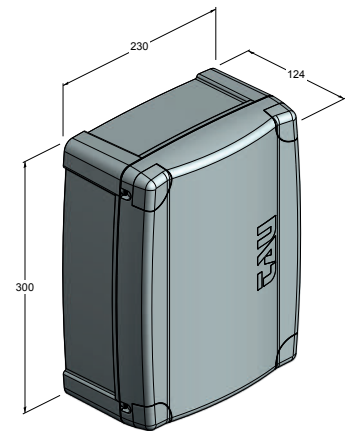
**230  
VOLT**

For swing gates operators

## 750D770M

**NEW**

Electronic control unit for one or two 230 V gate operators with soft-stop and built-in 433,92 MHz radio receiver, complete with enclosure



## Accessories



**750CUP**  
Control unit enclosure protective lid



**750COL**  
Control unit mounting post



**250SM126**  
Memory card for 126 radio codes



**250SM254**  
Memory card for 254 radio codes



**900VLED**  
Low voltage 12-18-24 Volt neutral led flashing light

### Outputs-Inputs

### D770M

M1 output	✓
M2 output	✓
Flashing light output	✓
Courtesy light output	✓
Electric lock output	✓
Gate open LED output	✓
12 Vdc output for auxiliaries	✓
24 Vac output for auxiliaries	✓
Internal photocell FTI output	✓
External photocell FTE output	✓
Open/close input	✓
Pedestrian input	✓
Stop input	✓
"Man present" open button input	✓
"Man present" close button input	✓
Sensitive edge input	✓

### Programmable Functions

### D770M

Automatic operation	✓
Semiautomatic operation	✓
Man present functions	✓
Pre-flashing disable	✓
Gate open led with proportional flashing	✓
Gate open led	✓
Programming with TauApp (250T-WIFI)	✓
Running with TauOpen (250T-CONNECT)	✓
Limit switch	✓
Photocell test at start of manoeuvre	✓
Disable photocell test	✓
Twin pair of photocells	✓
Close 5 secs after photocells	✓
Working time (TL) adjustment	✓
Gate open time (TCA) adjustment	✓
Gate open time (TCA) disable	✓
Delay wing closing	✓
Electronic force adjustment	✓
Automatic realignment after black-out	✓
Step-by-step operation (openstop-close-stop-open)	✓
No reverse in opening manoeuvre	✓
Pedestrian feature	✓
Clock function	✓
Encoder	✓
Built-in radio card	✓
Slow-down	✓
Receiver preset for digital keypads	✓