

650EASY DX - 650EASY SX

230 V right or left operator with encoder complete with hinged arm. Maximum gate leaf 2,3 m.

650EASYQR DX - 650EASYQR SX

230 V right or left operator complete with built-in control unit, rolling code radio receiver and hinged arm. Maximum gate leaf 2,3 m.



Accessories for EASY series
Page 112



Further accessories:
Transmitters page 234
Photocells page 239
Flashing lights page 242

FEATURES:

- residential use
- for gates leaves up to 2,3 m
- 230 V gate operator
- electronic control unit with built-in 433,92 MHz radio receiver (EASYQR)
- built-in electrical limit switches

PROS:

- compact size
- easy and intuitive installation
- ideal for big posts
- external emergency release available (optional, P/N 650ESE)



MANUAL RELEASE

Easy-to-operate manual release with key lock for the less skilled users. Optional external emergency release device.



ELECTRONIC CONTROL UNIT

Protected electronic control unit built-in in the motor complete with radio receiver.



COMPACT

Extremely compact and small size motor that leaves the aesthetics of the gate unchanged.

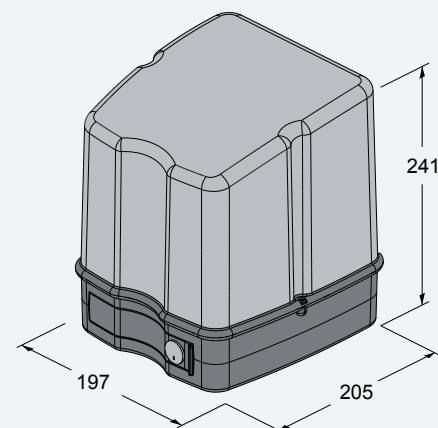


SILENT MOVEMENT

Full metal gears. Carbon steel and cast iron guarantee silence and sturdiness.

TECHNICAL DRAWINGS

Technical features	EASY	EASYQR
Power supply	230 V AC (50 - 60 Hz)	
Motor power supply	230 V AC	
Open circuit voltage	1,5 A	
Power rating	275 W	
Opening time 90°	16 s	
Duty cycle	32 %	
Operating temperature	-20° C ÷ +55° C	
Motor thermal protection	150° C	
Degree of protection IP	IP 44	
Electronic control unit	-	D727M





KIT

max.

2,3+2,3m | 230 V



EASYKIT02L

Complete double arm automation kit for gates up to 2,3 + 2,3 m, with one **650EASYQR** and one **650EASY12** gate operators

Accessories included in the kit:



900VLED-AT 230 V AC white led flashing light



300T-KEY + LED TSL Die-cast aluminium key switch + LED courtesy light for T-KEY



900OPTIC Set of infrared safety photocells, 12/24 V, surface mount, beam alignment adjustable up to 15°, up to 20 m range



250K-SLIMRP Two-channel transmitter, rolling code technology, 433,92 MHz



C-CRT Warning signal



EASYKIT02L2

Complete double arm automation kit for gates up to 2,3 + 2,3 m, with one **650EASYQR** and one **650EASY12** gate operators

Accessories included in the kit:



900VLED-AT 230 V AC white led flashing light



900OPTIC Set of infrared safety photocells, 12/24 V, surface mount, beam alignment adjustable up to 15°, up to 20 m range



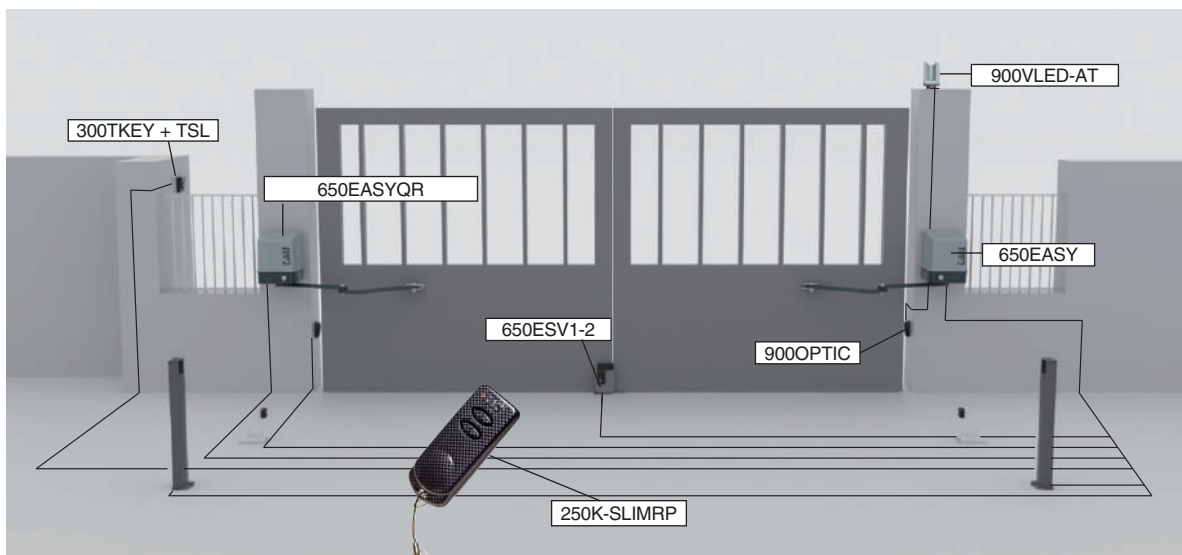
250K-SLIMRP Two-channel transmitter, rolling code technology, 433,92 MHz



250K-SLIMRP Two-channel transmitter, rolling code technology, 433,92 MHz



C-CRT Warning signal

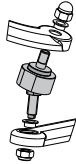


ACCESSORIES

COMMON ACCESSORIES



650KITCEASY
"Easy" mechanic limit switches kit



150KITBAI
Easy arm joint for sloping doors



650BRCE1
Straight arm with driving track



700BAP
Gate stopper for heavy leaves



700BAP1
Gate stopper for light leaves



700BAP2
Gate stopper wall/floor mount



650ESV1-2
Vertical electric lock recommended for leaves longer than 3 m (1=LEFT - 2=RIGHT)



650ESE
External emergency release device with tamper-proof housing and 5 m cable



900OPTIC
Set of infrared safety photocells, 12/24 V, surface mount, beam alignment adjustable up to 15°, up to 20 m range



900TOWERF
Photocell standard mounting post, painted aluminium, 49 cm, with removable cover for easy installation and photocell adjustment



750COL
Control unit mounting post

18/24 VOLT ACCESSORIES



750D749MA
Electronic control unit for one or two DC gate operators with encoder, complete with 433,92 MHz rolling code radio receiver, battery charger, transformer and enclosure



750D749MA-R
Electronic control unit for 1-2 DC fast operators with encoder. Same equipment of D749MA control unit



200KBE
Back-up battery kit



M-030000CC50
Multicore cable (2 x 2.5 sq.mm + 3 x 0.5 sq.mm)

⚠ Use only M-030000CC50 cable or equivalent



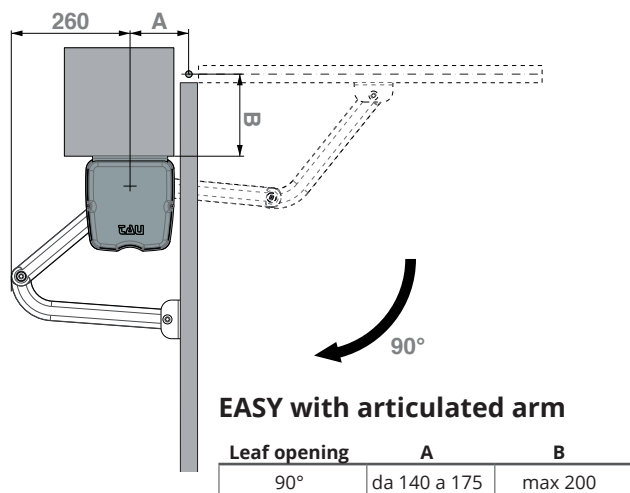
250T-WIFI
Device for Wi-Fi connection 2,4 GHz to allow the smartphone to remotely control and program the control units via TauApp



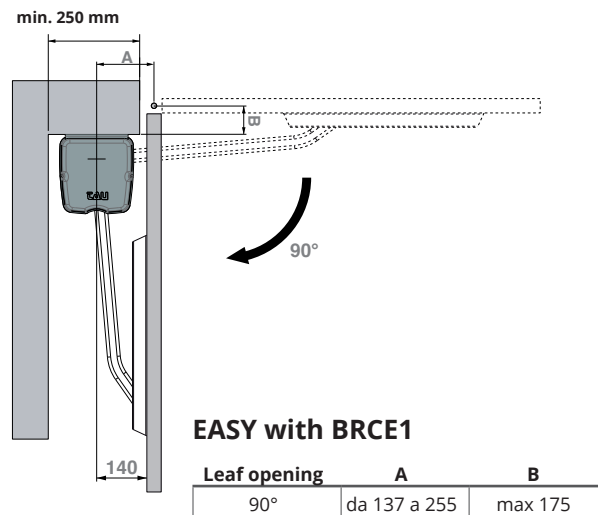
250T-CONNECT NEW
Ethernet + Wi-Fi device - to enable through Tau Open application, the use of the smartphone remotely, to open/close and check the status of the gate

INSTALLATION SIZES (MM)

EASY - Installation (mm)

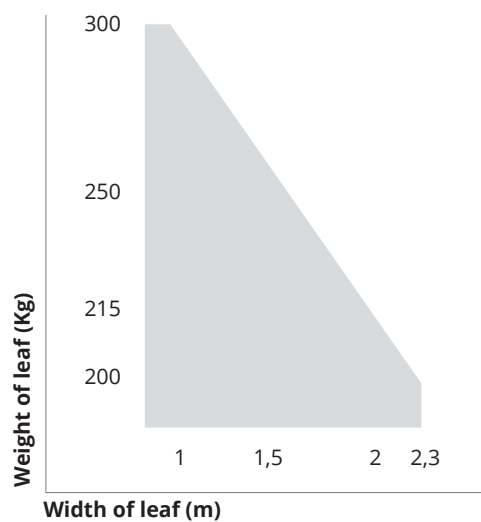


BRCE1 - Installation (mm)



LIMIT TO USE*

*They refer to leaves with openings and not totally closed panels.



Use and maintenance manuals



EASY



D749MA



D749MA-R



D770M