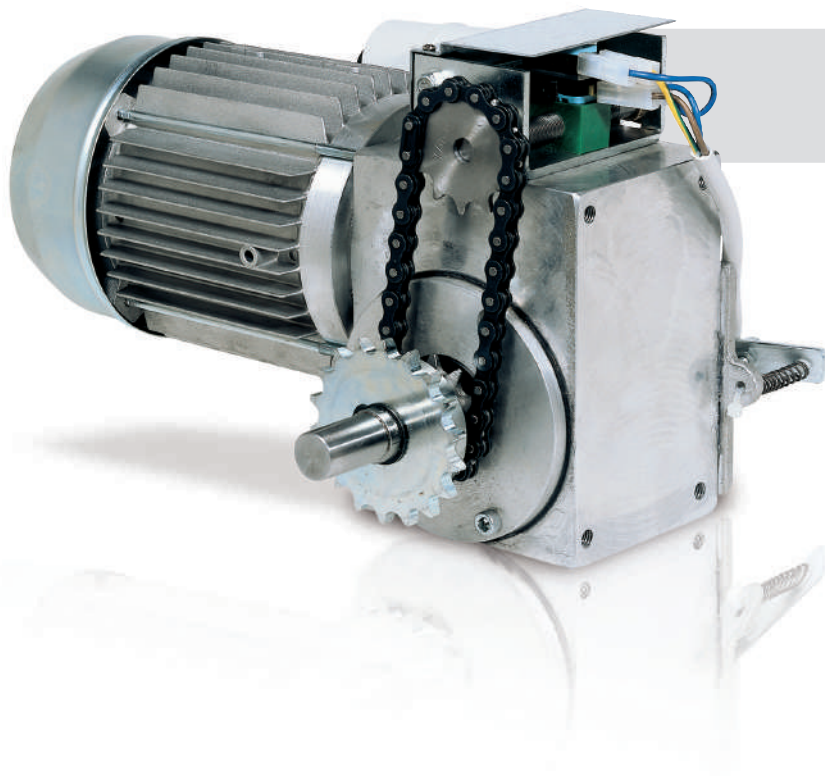


230/400
VOLT

GATE OPERATOR F10/15C

For sliding or folding doors
up to 1500 kg
Speed 10,3 m/min



500F10CA1

230 V chain drive sliding or folding door operator, complete with limit switch. Maximum door weight 1000 kg.

500F15C1

400 V chain drive sliding or folding door operator, complete with limit switch. Maximum door weight 1500 kg.

Features:

- commercial use
- for folding or sliding doors up to 1500 kg
- irreversible motor
- oil immersed operator with tempered steel screw and bronze gears for high performances and endurance

Pros:

- semi-intensive use
- high torque and power
- irreversible door operator
- ideal for wide hall openings (multi-leaf folding doors)
- quick and easy installation thanks to the built-in limit switch (F10CA1 / F15CA1)
- version with separated limit switch (F10CA / F15CA) recommended where a higher precision is required

Technical features

	F10CA1	F15C1
Power supply	230 V AC (50 - 60 Hz)	400 V AC (50 - 60 Hz)
Motor power supply	230 V AC	400 V AC
Absorption	3,9 A	3,25 A
Power rating	720 W	1000 W
Duty cycle	50 %	55 %
Max. torque	50 Nm	100 Nm
Operating temperature	-20° C + +55° C	-20° C + +55° C
Motor thermal protection	150° C	150° C
Degree of protection	IP 40	IP 40
Output speed	10,3 m/min	10,3 m/min
Max. gate leaf weight	<1000 kg	<1500 kg



Chain transmission

SPEED2CTN can directly be installed on the door thanks to the chain transmission



The above represented installation does not include safety devices such as safety edges. Their addition depends upon the risk assessment made on any installation in accordance with EN 12453 standards.



MADE IN ITALY

Accessories



550TEN
Chain stretcher



600D703
230/400 V electronic control unit for one gate operator with electrical brake



550CAT5
1/2" x 5/16" chain (5 m)



750COP2
Control unit box cover with 2 command buttons



M-03083850LR
Limit switch



750COP3
Control unit box cover with 3 command buttons



550MS
Release system



250RXSM2
Self-learning, two-channel, 433,92 MHz plug-in radio receiver. Accepts up to 14 rolling code transmitters or unlimited dipswitch transmitters



800B600100
F10/F15 Mounting plate



250SM126
Memory card for 126 radio codes



C-TARG
Aluminium CE mark label, self adhesive



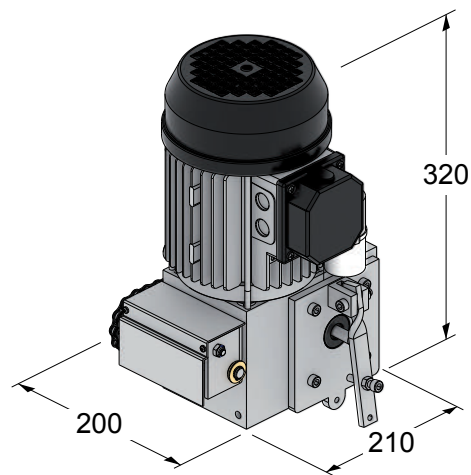
250SM254
Memory card for 254 radio codes



C-CRT
Warning signal



300PPI
Heavy duty pushbutton panel



Further accessories:
Transmitters page 118
Photocells page 124
Flashing lights page 127