

INDUSTRIAL OPERATOR

INDY

INDY INDYT

**230
400 V**

For 46 m² industrial
sectional doors



650INDY

230 Volt side mounted operator, 50 N m, for rolling shutters and industrial sectional doors with rotating shaft and manual emergency chain operations.

650INDYT

400 Volt side mounted operator, 100 N m, for rolling shutters and industrial sectional doors with rotating shaft and manual emergency chain operations.



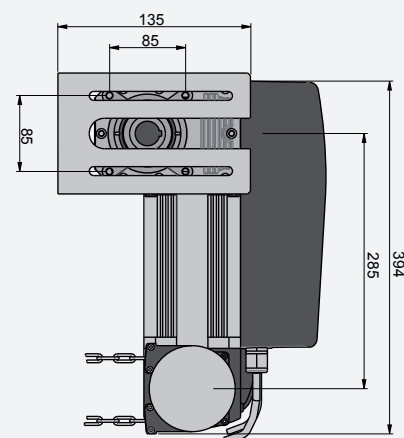
MADE IN
ITALY

FEATURES:

- electromechanical irreversible operator
- manual emergency chain
- built-in electric limit switch simple and precise to set
- oil bath motor with hardened steel and bronze gears for high performances and durability

Technical features	INDY	INDYT
Power supply	230 V AC (50 Hz)	400 V AC (50 Hz)
Motor power supply	230 V AC	400 V AC
Absorption	3,3 A	2,3 A
Power rating	600 W	900 W
Duty cycle	15 %	25 %
Operating temperature	-20° C ÷ +55° C	-20° C ÷ +55° C
Speed output shaft	22 rpm	22 rpm
Degree of protection	IP 54	IP 54
Ø output shaft	25,4 mm	25,4 mm

TECHNICAL DRAWINGS



ACCESSORIES



750COP2
Control unit box cover with 2 command buttons



750COP3
Control unit box cover with 3 command buttons



600D703
230/400 V electronic control unit for one gate operator with electrical brake



250RXSM2
Self-learning, two-channel, 433,92 MHz plug-in radio receiver. Accepts up to 14 rolling code transmitters or unlimited dipswitch transmitters



650INDY001
Shaft transmission kit with chain pinion



300PPI
Heavy duty pushbutton panel



900VLED-AT
230 V AC white led flashing light



250S-4RP
Four-channel transmitter, rolling code technology, 433,92 MHz



900OPTIC
Set of infrared safety photocells, 12/24 V, surface mount, beam alignment adjustable up to 15°, up to 20 m range



250SM126
Memory card for 126 radio codes

250SM254
Memory card for 254 radio codes