

K330M

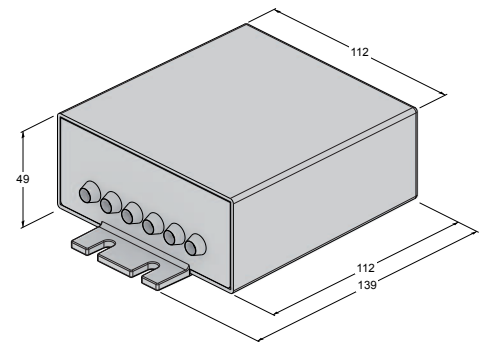
230
VOLT

For central motors



750K330M

Electronic control unit for 230 V central motors with built-in 433,92 MHz radio receiver, complete with enclosure



Outputs-Inputs	K330M
M1 output	✓
M2 output	
Flashing light output	✓
Courtesy light output	
Electric lock output	
Gate open LED output	
12 Vdc output for auxiliaries	
24 Vac output for auxiliaries	✓
Internal photocell FTI output	
External photocell FTE output	✓
Open/close input	✓
Pedestrian input	
Stop input	
Open button input	
Close button input	
Sensitive edge input	

Programmable Functions K330M

Automatic operation	✓
Semiautomatic operation	✓
Man present functions	
Pre-flashing disable	
Gate open led with proportional flashing	
Gate open led	
Limit switch	✓
Photocell test at start of manoeuvre	✓
Disable photocell test	✓
Twin pair of photocells	
Close 5 secs after photocells	
Working time (TL) adjustment	✓
Gate open time (TCA) adjustment	✓
Gate open time (TCA) disable	✓
Delay wing closing	
Electronic force adjustment	✓
Automatic realignment after black-out	
Step-by-step operation (openstop-close-stop-open)	✓
No reverse in opening manoeuvre	✓
Pedestrian feature	
Clock function	✓
Encoder	
Built-in radio card	✓
Slow-down	
Receiver preset for digital keypads	✓