

12 VOLT

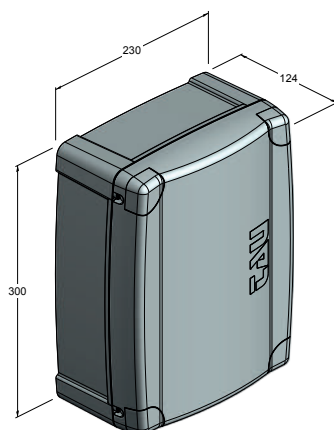
ELECTRONIC CONTROL UNIT K996M



For up-and-over garage door openers

200K996M

Electronic control unit for one or two DC up-and-over garage door openers with soft-stop, built-in 433,92 MHz radio receiver and enclosure



Programmable Functions

K996M

Automatic operation	✓
Semiautomatic operation	✓
Man present functions	
Pre-flashing disable	✓
Gate open led with proportional flashing	
Gate open led	
Limit switch	
Photocell test at start of manoeuvre	
Disable photocell test	
Twin pair of photocells	
Close 5 secs after photocells	
Working time (TL) adjustment	
Gate open time (TCA) adjustment	✓
Gate open time (TCA) disable	✓
Delay wing closing	
Electronic force adjustment	✓
Automatic realignment after black-out	✓
Step-by-step operation (openstop-close-stop-open)	✓
No reverse in opening manoeuvre	✓
Pedestrian feature	
Clock function	✓
Encoder	✓
Built-in radio card	✓
Slow-down	✓
Receiver preset for digital keypads	✓

Accessories



750SCB12C
Battery charger (optional)



200BATT
12 V Battery, 7,2 Ah
with cable

Outputs-Inputs

K996M

M1 output	✓
M2 output	✓
Flashing light output	✓
Courtesy light output	✓
Electric lock output	
Gate open LED output	
12 Vdc output for auxiliaries	✓
24 Vdc output for auxiliaries	
Internal photocell FTI output	
External photocell FTE output	
Open/close input	✓
Pedestrian input	
Stop input	✓
Open button input	
Close button input	
Sensitive edge input	✓