

230
VOLT

GATE OPERATOR MASTER₂₀

For gates up to 2000 kg
Speed 10,5 m/min

500MASTER20QR

230 V sliding gate operator with encoder and limit switch, complete with electronic control unit and built-in 433,92 MHz rolling code radio receiver. Maximum gate weight 2000 kg

500MASTER20QM

230 V sliding gate operator with encoder and magnetic limit switches, complete with electronic control unit and built-in 433,92 MHz rolling code radio receiver. Maximum gate weight 2000 kg

500MASTER20T

400 V three-phase sliding gate operator with encoder without electronic control unit. Maximum gate weight 2000 kg

Features:

- commercial use
- for gates up to 2000 kg
- 230 V (MASTER20QR/QM) and 400 V (MASTER20T) gate operators
- optical encoder technology for obstacle detection (MASTER20QR/QM only)
- electronic brake
- irreversible gate operator
- lever manual release mechanism

Pros:

- obstacle detection and crush prevention
- suitable for large sliding gates
- high torque and power thanks to the three-phase 400 Vac version (MASTER20T)
- external emergency release available (optional, P/N 650ESE02)



Technical features

	MASTER20QR/QM	MASTER20T
Power supply	230 V AC (50 - 60 Hz)	400 V AC (50 - 60 Hz)
Motor power supply	230 V AC	400 V AC
Motor Absorption	3,4 A	3,7 A
Power rating	550 W	1000 W
Speed maneuver	10,5 m/min	10,5 m/min
Duty cycle	40 %	58 %
Max. thrust	1890 N	1890 N
Operating temperature	-20° C ÷ +55° C	-20° C ÷ +55° C
Motor thermal protection	160° C	150° C
Degree of protection	IP 54	IP 54
Max. gate leaf weight	2000 kg	2000 kg
Pinion module	Module 4	Module 4
Electronic control unit	K590M	D703 (external)



Protected control board:

The electronic control unit is well protected from the outside within its plastic shell. (MASTER20QR/QM)



Practical:

The manual release is easy, intuitive and protected by a personal key.



The above represented installation does not include safety devices such as safety edges. Their addition depends upon the risk assessment made on any installation in accordance with EN 12453 standards.



MADE IN ITALY



AVAILABLE

Accessories



550CPM
Counterplate



550CPM020 **NEW**
Galvanized counterplate
H 40 mm



550CPMR
Adjustable counterplate
max 94 mm



550CPMR1
Adjustable counterplate
max 202 mm



400CFZ12
Steel rack 30x12, complete
with screws (Module 4, max
2000 kg)



400CFZ22
Steel rack 22x22 (Module 4,
max 3000 kg)



400VSF20
Screws and brackets for
400CFZ22 (40 units per pkg)



700BAP4
Gate stopper with spring



C-TARG
Aluminium CE mark label,
self adhesive



600D703
230/400 V electronic control
unit for one gate operator
with electrical brake
(MASTER20T)



900TWM
Wireless safety edge
master receiver



900TWC
Wireless safety edge
transmitter



250RXSM2
Self-learning, two-channel,
433,92 MHz plug-in radio
receiver. Accepts up to 14 rolling
code transmitters



900BSD15
Deformable safety edge kit
L=1,5 m



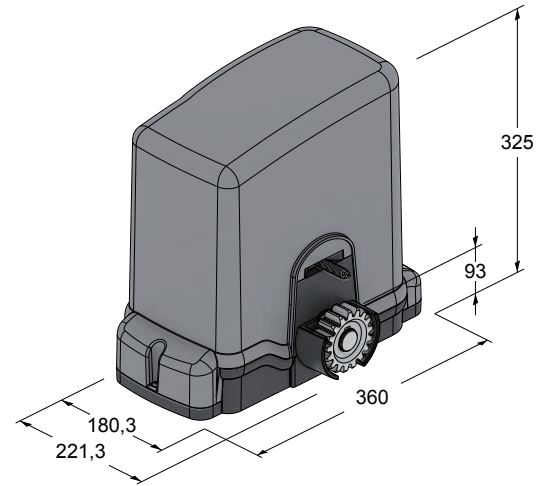
900BSD20
Deformable safety edge
kit L=2 m



650ESE02
External emergency release
device (flush-mounted) with
tamper-proof housing and 4
m cable



750COL
Control unit mounting post



C-CRT
Warning signal



Further accessories:
Transmitters page 118
Photocells page 124
Flashing lights page 127