

**230**  
VOLT

# OPERATOR MRC-M

For awnings and shutters.  
Maximum torque 50 Nm.



## 850MRC20M

230 V Tubular motor, hand crank function, Ø 45 mm, c/w bracket and adapters for tube Ø 70 mm  
20 Nm torque

## 850MRC30M

230 V Tubular motor, hand crank function, Ø 45 mm, c/w bracket and adapters for tube Ø 70 mm  
30 Nm torque

## 850MRC40M

230 V Tubular motor, hand crank function, Ø 45 mm, c/w bracket and adapters for tube Ø 70 mm  
40 Nm torque

## 850MRC50M

230 V Tubular motor, hand crank function, Ø 45 mm, c/w bracket and adapters for tube Ø 70 mm  
50 Nm torque

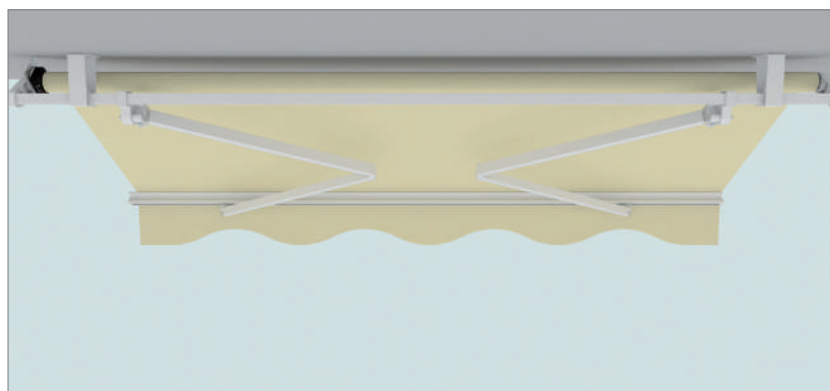
### Features:

- tubular motor Ø 45 mm
- 230 V motor
- built-in hand crank function
- self-braking motor
- max. run time 4'

### Pros:

- ideal for awnings' projection up to 4 m
- quick installation
- easy setting of limit switches
- emergency manual operation thanks to the optional hand crank
- easy limit switch setting

Technical features	MRC20M	MRC30M	MRC40M	MRC50M
Degree of protection	IP 44			
Power supply	230 V AC (50 - 60 Hz)			
Absorption	0,92 A	1,1 A	1,3 A	1,4 A
Absorbed power	205 W	230 W	292 W	308 W
Crown Speed	15 rpm	15 rpm	15 rpm	12 rpm
Lifting Power	38 kg	56 kg	76 kg	94 kg
Operating temperature	-10° C + +60° C			
Operating time	4 min.			
Torque	20 Nm	30 Nm	40 Nm	50 Nm



## Accessories



**850AD70C**  
Replacement crown drive  
adapter kit for tube Ø 70 mm



**850CSV**  
Weather station



**850SND45C**  
45°/90° hand crank loop for  
shutter box



**850ANCP**  
Wind and twilight sensor



**850DZ68**  
Replacement bracket for  
MRC-M tubular motors



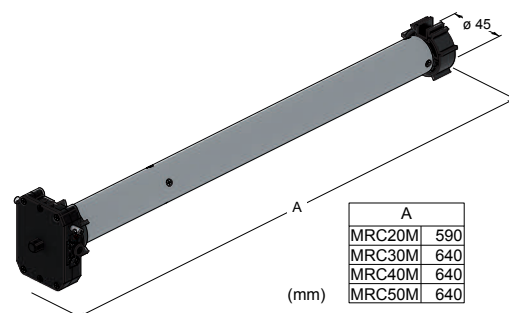
**850PLV**  
Rain sensor



**850MAN150**  
Steel hand crank, 1500 mm,  
with joint arm

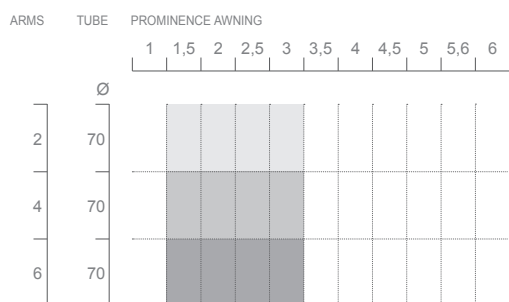


**850OCC**  
Hand crank loop

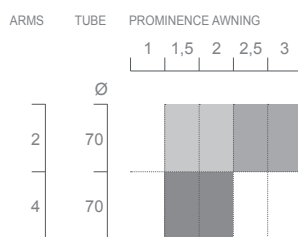


## Application chart for awnings

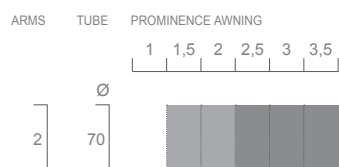
ARM WITH 15 Kg. POWER SERIE Ø 45 mm



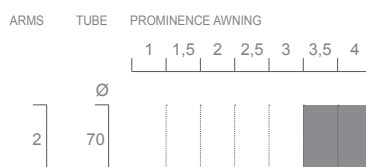
ARM WITH 25 Kg. POWER



ARM WITH 35 Kg. POWER



ARM WITH 45 Kg. POWER



References

