



650R18

230 V electromechanical gate operator. Maximum gate leaf 1,8 m/200 kg (foundation box to be ordered separately) **with cable l=2,3 m.**

650R18L

230 V electromechanical gate operator. Maximum gate leaf 1,8 m/200 kg (foundation box to be ordered separately) **with cable l=5 m.**



Accessories for R18 series
Page 92



Further accessories:
Transmitters page 234
Photocells page 239
Flashing lights page 242

FEATURES:

- residential use
- for gates leaves up to 1,8 m
- 230 V gate operator
- electromechanical motor

PROS:

- compact size
- virtually invisible, does not affect the design of the gate
- opening up to 360° with no additional accessories
- manual release
- high torque and power



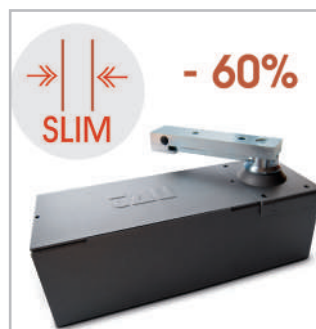
MECHANICS OF EXCELLENCE

The last stage of reduction consists of a large carbon steel gear (MOD.3) coupled with a metal worm screw which safeguards its integrity in the event of a collision.



OPENING UP TO 360°

The compact R18 gate operator is ideal where space is an issue.



UNIQUE IN THE MARKET

Small and compact foundation box (60% less than other underground gearmotors).



WATERTIGHT

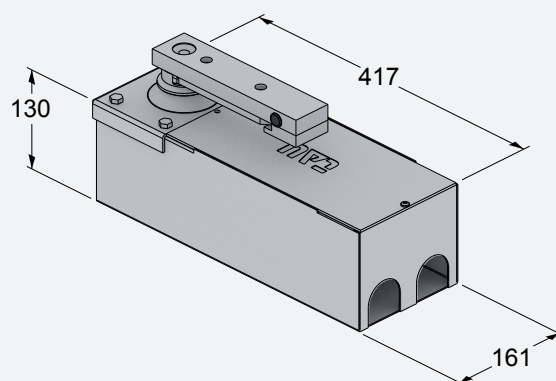
The new watertight collar diverts rain water ensuring a complete and lasting protection.

TECHNICAL DRAWINGS

Technical features

R18/L

Power supply	230 V AC (50 - 60 Hz)
Motor power supply	230 V AC
Open circuit voltage	1,3 A
Power rating	240 W
Opening time 90°	22 s
Duty cycle	32 %
Operating temperature	-20° C ÷ +55° C
Motor thermal protection	160° C
Degree of protection IP	IP 67





KIT max. 1,8+1,8m | 230 V

INSIDEKITL



Complete underground automation kit for gates up to 1,8 + 1,8 m, with two **650R18** gate operators (1 with cable $l=2,3$ m + 1 with cable $l=5$ m). Foundation boxes to be ordered separately

Accessories included in the kit:



900VLED Low voltage 12-18-24 Volt white led flashing light



750D770M Electronic control unit for one or two 230 V gate operators with soft-stop and built-in 433,92 MHz rolling code radio receiver, complete with enclosure



300T-KEY + LED TSL Die-cast aluminium key switch + LED courtesy light for T-KEY



900OPTIC Set of infrared safety photocells, 12/24 V, surface mount, beam alignment adjustable up to 15°, up to 20 m range



250K-SLIMRP Two-channel transmitter, rolling code technology, 433,92 MHz



C-CRT Warning signal

INSIDEKITL2



Complete underground automation kit for gates up to 1,8 + 1,8 m, with two **650R18** gate operators (1 with cable $l=2,3$ m + 1 with cable $l=5$ m). Foundation boxes to be ordered separately

Accessories included in the kit:



900VLED Low voltage 12-18-24 Volt white led flashing light



750D770M Electronic control unit for one or two 230 V gate operators with soft-stop and built-in 433,92 MHz rolling code radio receiver, complete with enclosure



900OPTIC Set of infrared safety photocells, 12/24 V, surface mount, beam alignment adjustable up to 15°, up to 20 m range



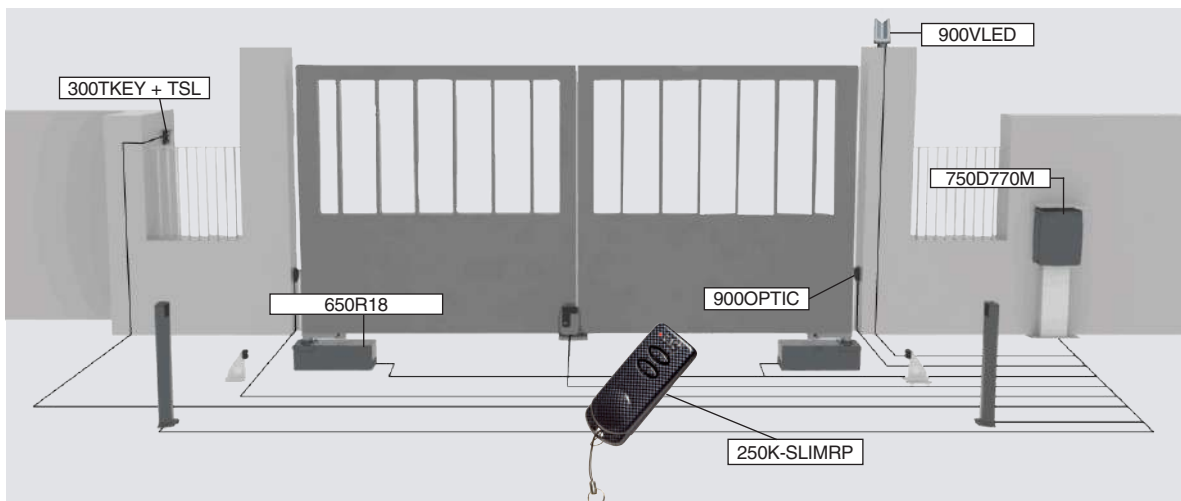
250K-SLIMRP Two-channel transmitter, rolling code technology, 433,92 MHz



250K-SLIMRP Two-channel transmitter, rolling code technology, 433,92 MHz



C-CRT Warning signal



ACCESSORIES

COMMON ACCESSORIES



700CFR18CT
Cataphoresis steel foundation box
with release system



700CFR18X
Stainless steel foundation box **with**
release system



700BRC18
R18 Retrofit adapter arm



650KITFCR18
Mechanical closing limit switch for all R18
operators



650ESV1-2
Vertical electric lock recommended
for leaves longer than 3 m (1=LEFT -
2=RIGHT)



750CUP
Control unit enclosure protective lid



700BAP
Gate stopper for heavy leaves



700BAP2
Gate stopper wall/floor mount



700BAP1
Gate stopper for light leaves



250SM126
Memory card for 126 radio
codes



250SM254
Memory card for 254 radio
codes



250SM1022
Memory card for 1022 radio
codes



250T-WIFI
Device for Wi-Fi connection 2,4 GHz
to allow the smartphone to remotely
control and program the control units
via TauApp



250T-CONNECT NEW
Ethernet + Wi-Fi device - to enable
through Tau Open application, the use of
the smartphone remotely, to open/close
and check the status of the gate



900VLED
Low voltage 12-18-24 Volt white
led flashing light



900OPTIC
Set of infrared safety photocells,
12/24 V, surface mount, beam
alignment adjustable up to 15°,
up to 20 m range



900TOWERF
Photocell standard mounting post, painted
aluminium, 49 cm, with removable
cover for easy installation and photocell
adjustment



750COL
Control unit mounting
post

18/24 VOLT ACCESSORIES



750D749MA
Electronic control unit for one or two DC gate operators with encoder, complete with 433,92 MHz rolling code radio receiver, battery charger, transformer and enclosure



700GS5
5-core waterproof connector (IP 68) for 12 V motor cables



200BATT
12 Volt Battery, 7,2 Ah with cable



K-030KITKB20
Battery cables kit (20 pcs)



M-030000CC50
Multicore cable (2 x 2.5 sq.mm + 3 x 0.5 sq.mm)

⚠ Use only M-030000CC50 cable or equivalent

230 VOLT ACCESSORIES



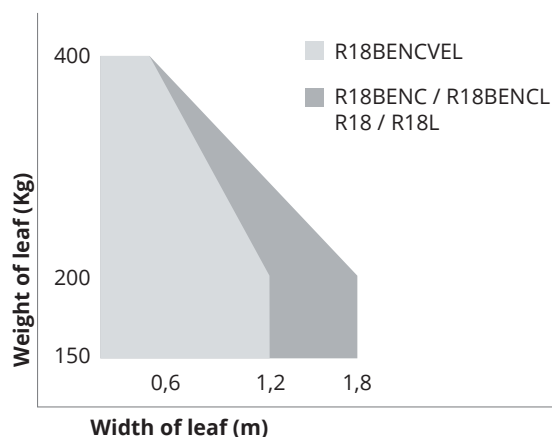
750D770M
Electronic control unit for one or two 230 V gate operators with soft-stop and built-in 433,92 MHz rolling code radio receiver, complete with enclosure



700GS3
3-core waterproof connector (IP 68) for 230 V motor cables

LIMIT TO USE*

*They refer to leaves with openings and not totally closed panels.



Use and maintenance manuals



R18



D749MA



D770M