

230
VOLT

GATE OPERATOR R18

For gate leaves up to 1,8 m
Opening in 22 sec.



650R18

230 V electromechanical gate operator. Maximum gate leaf 1,8 m (foundation box to be ordered separately) with **cabl e l=2,3 m**

650R18L

230 V electromechanical gate operator. Maximum gate leaf 1,8 m (foundation box to be ordered separately) with **cabl e l=5 m**

Features:

- residential use
- for gates leaves up to 1,8 m
- 230 V gate operator
- electromechanical motor

Pros:

- compact size
- virtually invisible, does not affect the design of the gate
- opening up to 360° with no additional accessories
- manual release
- high torque and power

Technical features

	R18/L
Power supply	230 V AC (50 - 60 Hz)
Motor power supply	230 V AC
Absorption	1,3 A
Power rating	240 W
Opening time 90°	22 sec.
Duty cycle	32 %
Max. torque	148 Nm
Operating temperature	-20° C + +55° C
Motor thermal protection	160° C
Degree of protection	IP 67



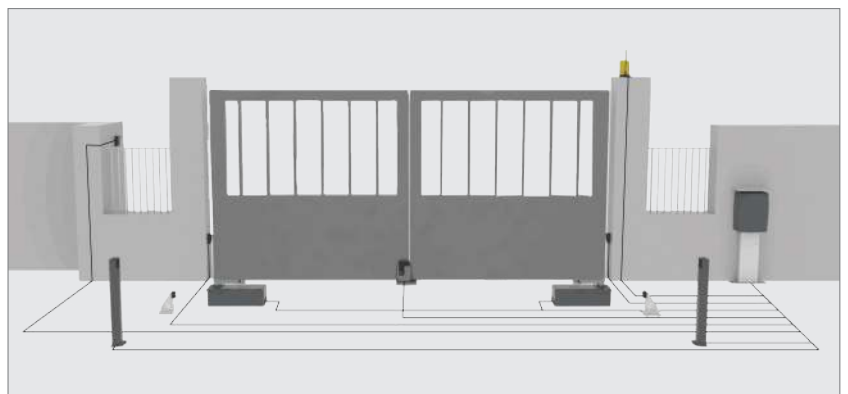
Watertight

The new watertight collar diverts rain water ensuring a complete and lasting protection.



Opening up to 360°

The compact R18 gate operator is ideal where space is an issue



The above represented installation does not include safety devices such as safety edges. Their addition depends upon the risk assessment made on any installation in accordance with EN 12445-12453 standards.



INSIDEKIT05T

Complete underground automation kit for gates up to 1,8 + 1,8 m, with two 650R18 gate operators (1 with cable l=2,3 m + 1 with cable l=5 m)

Accessories included in the kit (foundation boxes to be ordered separately):



900OPTIC



750D760M



300T-KEY
aluminium +
LED TSL



250ANTD



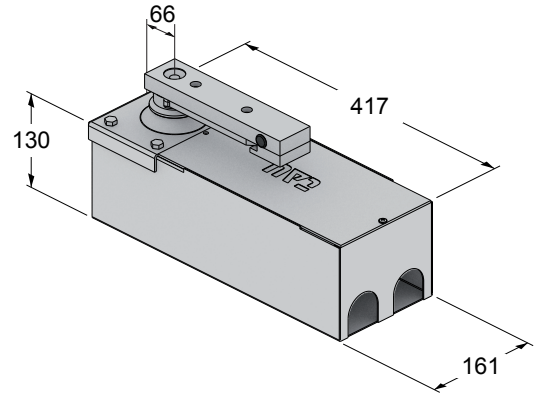
900LAMP3



250K-SLIMRP



C-CRT



Accessories



700CFR18CT
Cataphoresis steel
foundation box **with
release system**



750D760M
Electronic control unit for one or
two 230 V gate operators with
soft-stop and built-in 433,92
MHz rolling code radio receiver,
complete with enclosure



700CFR18X
Stainless steel foundation
box **with release system**



750CUP
Control unit enclosure
protective lid



700BRC18
R18 Retrofit adapter arm



700GS3
Weatherproof cable
connector for 3-core 230 V
cable



650KITFCR18
Mechanical closing limit
switch for all R18 operators.



650ESV1-2
Electric lock (1 = left hand
opening - 2 = right hand
opening)



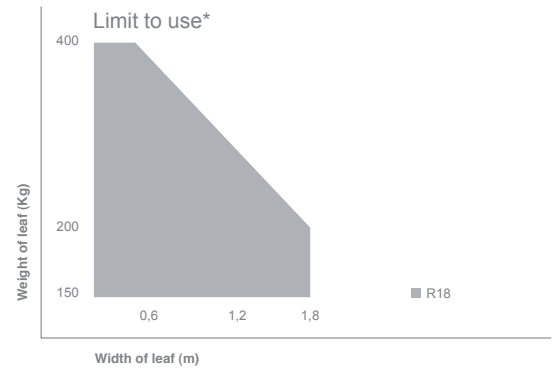
700BAP
Gate stopper for heavy
leaves



700BAP1
Gate stopper for light leaves



700BAP2
Gate stopper wall/floor
mount



*They refer to leaves with openings and not totally closed panels.



Further accessories:
Transmitters page 120
Photocells page 120
Flashing lights page 129