

**230**  
VOLT

## GATE OPERATOR R30

For gate leaves up to 3,5 m  
Opening time 16,5 sec.

### 650R30

230 V electromechanical gate operator. Maximum gate leaf 3,5 m / 400 kg with  **cable l=2,3 m** (foundation box to be ordered separately)

### 650R30L

230 V electromechanical gate operator. Maximum gate leaf 3,5 m / 400 kg with  **cable l=9 m** (foundation box to be ordered separately)

#### Features:

- residential use
- for gates leaves up to 3,5 m
- 230 V gate operator
- electromechanical motor
- protection degree IP67

#### Pros:

- virtually invisible, does not affect the design of the gate
- opening up to 180° thanks to the optional 700KIT180C kit
- watertight for reliable operation
- manual release
- high torque and power
- suitable for large gates and non standard sized posts



#### Technical features

	<b>R30/L</b>
Power supply	230 V AC (50 - 60 Hz)
Motor power supply	230 V AC
Absorption	1,4 A
Power rating	260 W
Opening time 90°	16,5 sec.
Duty cycle	33 %
Max. torque	402 Nm
Operating temperature	-20° C + +55° C
Motor thermal protection	160° C
Degree of protection	IP 67



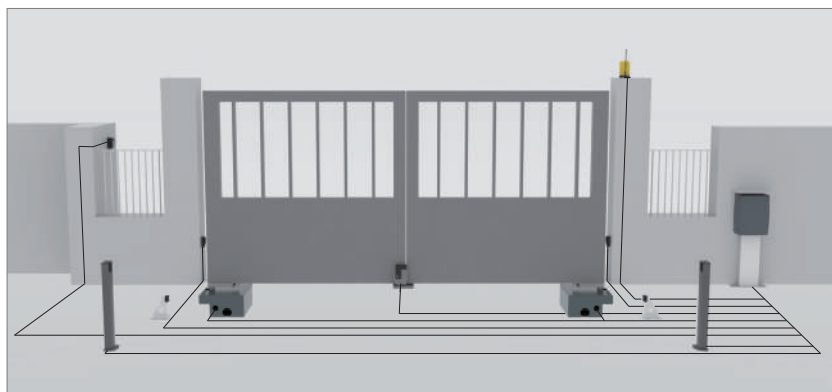
#### Watertight

Water proof design ensuring a complete and lasting protection.



#### Stainless Steel Box

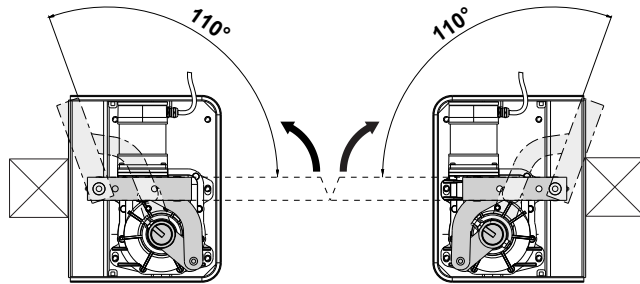
The stainless steel foundation box ensures the highest resistance from corrosion.



The above represented installation does not include safety devices such as safety edges. Their addition depends upon the risk assessment made on any installation in accordance with EN 12453 standards.



MADE IN ITALY



### Accessories



**700CFCT**  
Cataphoresis steel foundation box with release system



**750D770M**  
Electronic control unit for one or two 230 V gate operators with soft-stop and built-in 433,92 MHz rolling code radio receiver, complete with enclosure



**700CFC**  
Hot-dip galvanized foundation box with release system



**750CUP**  
Control unit enclosure protective lid



**700CFX**  
Stainless steel foundation box with release system



**700GS3**  
Weatherproof cable connector for 3-core 230 V cable



**S-700CFR4060C**  
Stainless steel cover lid for foundation box



**650ESV1-2**  
Electric lock (1 = left hand opening - 2 = right hand opening)



**700KIT180**  
180° opening kit



**700BAP**  
Gate stopper for heavy leaves



**700KITCFR**  
Adjustable mechanical stop lever



**700BAP2**  
Gate stopper wall/floor mount



**C-TARG**  
Aluminium CE Mark Label, self adhesive



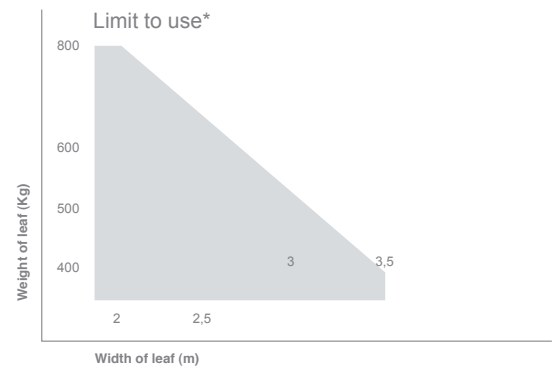
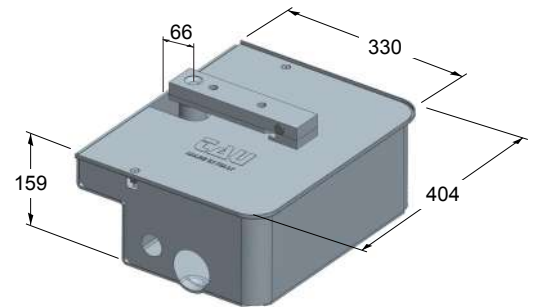
**250SM126**  
Memory card for 126 radio codes



**250SM254**  
Memory card for 254 radio codes



**250SM1022**  
Memory card for 1022 radio codes



\*They refer to leaves with openings and not totally closed panels.



**Further accessories:**  
Transmitters page 118  
Photocells page 124  
Flashing lights page 127