

# TRANSMITTERS AND RADIO RECEIVERS

# DIP-SWITCH TECHNOLOGY

## Features:

- frequency: 433,92 MHz
- range: up to 200 m in open air (the effective range depends on terrain and possible radio frequency interferences)
- 1024 code combinations
- dipswitch technology

## Pros:

- easy programming
- code can be easily changed by setting the switches inside the transmitter
- dipswitch transmitters can be programmed both in dipswitch and self-learning radio receivers
- a transmitter can be programmed into any number of self-learning radio receivers, thus avoiding the use of different transmitters

## 250K-SLIM\*

Two-channel transmitter, dipswitch technology, 433,92 MHz



## 250T-4\*

Four-channel transmitter, dipswitch technology, 433,92 MHz, complete with support



## 250S-2\*

Two-channel transmitter, dipswitch technology, 433,92 MHz

NEW

## 250S-4\*

Four-channel transmitter, dipswitch technology, 433,92 MHz

NEW



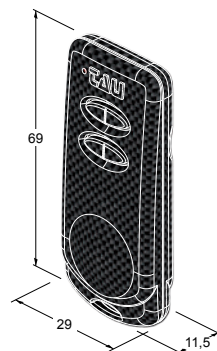
\* not compatible with the newest control boards generation (Diamond).



MADE IN ITALY

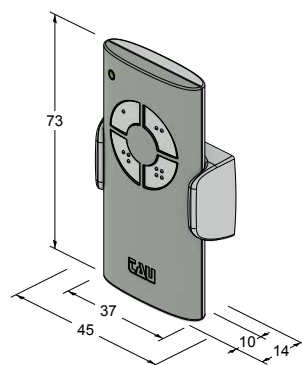
### 250TXD2\*

Two-channel transmitter, dipswitch technology, 433,92 MHz



### 250TXD4\*

Four-channel transmitter, dipswitch technology, 433,92 MHz



## Radio receivers



**250RXSM1**  
Self-learning, single-channel, 433,92 MHz plug-in radio receiver. Accepts up to 14 rolling code transmitters or unlimited dipswitch transmitters.



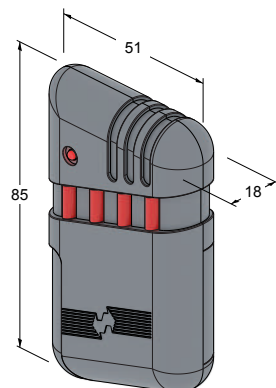
**250RXSM1B**  
Self-learning, single-channel, 433,92 MHz radio receiver with enclosure. Accepts up to 14 rolling code transmitters or unlimited dipswitch transmitters.



**250RXSM2**  
Self-learning, two-channel, 433,92 MHz plug-in radio receiver. Accepts up to 14 rolling code transmitters or unlimited dipswitch transmitters.



**250RXSM2B**  
Self-learning, two-channel, 433,92 MHz radio receiver with enclosure. Accepts up to 14 rolling code transmitters or unlimited dipswitch transmitters.



## Accessories



**200BATTXX**  
Batteries for TXD2 and TXD4 transmitters



**250ANTD1**  
Aerial with mounting bracket and 5 m cable



**200BATTBUG**  
Batteries for T-4, K-SLIM and BUG2-4 transmitters



**250ANTD**  
Aerial with 5 m cable (to be mounted on LAMP flashing lights)