

TRANSMITTERS AND RADIO RECEIVERS

ROLLING CODE TECHNOLOGY

Features:

- frequency: 433,92 MHz
- range: up to 200 m in open air (the effective range depends on terrain and possible radio frequency interferences)
- 281.000 billion code combinations
- rolling code technology: every time the transmitter sends a code, it generates a new code using an encoder. An algorithm identifies and validates only the signal of the transmitters encoded by the radio receiver.

Pros:

- virtually impossible to duplicate
- code can be personalized thanks to the TAU-PROG programmer
- ideal for multi-user systems
- a transmitter can be programmed into any number of self-learning radio receivers, thus avoiding the use of different transmitters
- tougher shells

Thanks to the TauApp on your smartphone and to the T-WIFI device, it is possible to change all parameters of Diamond series control units. For example, you can change the opening and closing speed of the gate, the acceleration or deceleration time during opening and closing maneuvers and many more parameters. You can also check the status of the automation and the diagnostic of its operation.

Thanks to the TAUPROG handheld programmer and the new TAUPROG management software it is possible to create and manage an access control database, with a wide range of new functions. Rolling code transmitters can't be duplicated or added an existing system unless enabled by the same TAU-PROG handheld programmer, thanks to the unique code embedded in each TAUPROG encoder. The user-friendly TAUPROG database management software (PC version) stores database contents and allows multiple functions such as customize and add comments to every transmitter stored, add/remove new transmitters to an existing system, enable/disable codes, make back-up copies and prints. It is possible to modify advanced parameters on DIAMOND control boards.

250K-SLIMRP

Two-channel transmitter, rolling code technology, 433,92 MHz



250T-4RP

Four-channel transmitter, rolling code technology, 433,92 MHz, complete with support



250S-2RP

Two-channel transmitter, rolling code technology, 433,92 MHz

NEW



250S-4RP

Four-channel transmitter, rolling code technology, 433,92 MHz

NEW

250T-WIFI

2,4 Ghz connecting device to allow the use of the smartphone to remote control and programme Diamond series control units through the TauApp.



250T-CONNECT

Ethernet + WIFI device - to enable through Tau Open application, the use of the smartphone remotely, to open/close and check the status of the gate.

NEW



250TAUPROG

Handheld device to program preset radio receivers and electronic control boards



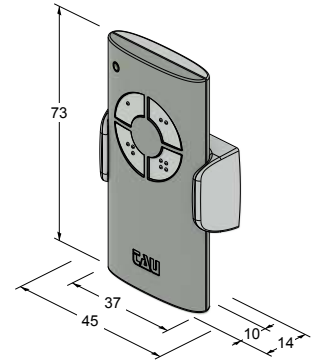
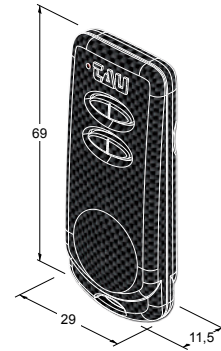
250T-RADIO1

Universal system made of one 433,92 MHz single-channel and self-learning receiver with built-in aerial and a two-channel K-SLIM transmitter with rolling code technology



250T-RADIO2

Universal system made of one 433,92 MHz two-channel and self-learning receiver with built-in aerial and two four-channel T-4RP transmitters with rolling code technology



Radio receivers



250RXSM1
Self-learning, single-channel, 433,92 MHz plug-in radio receiver. Accepts up to 14 rolling code transmitters or unlimited dipswitch transmitters.



250RXSM2
Self-learning, two-channel, 433,92 MHz plug-in radio receiver. Accepts up to 14 rolling code transmitters or unlimited dipswitch transmitters.



250RXSM1B
Self-learning, single-channel, 433,92 MHz radio receiver with enclosure. Accepts up to 14 rolling code transmitters or unlimited dipswitch transmitters.



250RXSM2B
Self-learning, two-channel, 433,92 MHz radio receiver with enclosure. Accepts up to 14 rolling code transmitters or unlimited dipswitch transmitters.



250RXSM4
Self-learning, four-channel, 433,92 MHz radio receiver with enclosure. Accepts up to 14 rolling code transmitters or unlimited dipswitch transmitters.



250RXSM4T
230 V Self-learning, four-channel, 433,92 MHz radio receiver with enclosure. Accepts up to 14 rolling code transmitters or unlimited dipswitch transmitters.



250SM126
Memory card for 126 radio codes



250SM254D
Memory card for 254 radio codes



250SM1022
Memory card for 1022 radio codes

Accessories



200BATTBUG
Batteries for T-4, K-SLIM and BUG2-4 transmitters



250ANTD
Aerial with 5 m cable (to be mounted on LAMP flashing lights)



250ANTD1
Aerial with mounting bracket and 5 m cable