

TRANSMITTERS AND RADIO RECEIVERS

SELF LEARNING TECHNOLOGY

Features:

- frequency: 433,92 MHz
- range: up to 200 m in open air (the effective range depends on terrain and possible radio frequency interferences)
- 1024 code combinations
- self-learning technology

Pros:

- quick and easy programming, without opening the transmitter's shell
- these transmitters can be programmed both in dipswitch and self-learning radio receivers
- ideal for multi-user systems
- a transmitter can be programmed into any number of self-learning radio receivers, thus avoiding the use of different transmitters

250K-SLIMC*

Two-channel transmitter, self-learning technology, 433,92 MHz



250T-4C*

Four-channel transmitter, self-learning technology, 433,92 MHz, complete with support



250S-2C*

Two-channel transmitter, self-learning technology, 433,92 MHz

NEW

250S-4C*

Four-channel transmitter, self-learning technology, 433,92 MHz

NEW



* not compatible with the newest control boards generation (Diamond).

Radio receivers



250RXSM1
Self-learning, single-channel, 433,92 MHz plug-in radio receiver. Accepts up to 14 rolling code transmitters or unlimited dipswitch transmitters.



250RXSM4
Self-learning, four-channel, 433,92 MHz radio receiver with enclosure. Accepts up to 14 rolling code transmitters or unlimited dipswitch transmitters.



250RXSM2
Self-learning, two-channel, 433,92 MHz plug-in radio receiver. Accepts up to 14 rolling code transmitters or unlimited dipswitch transmitters.



250RXSM4T
230 V Self-learning, four-channel, 433,92 MHz radio receiver with enclosure. Accepts up to 14 rolling code transmitters or unlimited dipswitch transmitters.



250RXSM1B
Self-learning, single-channel, 433,92 MHz radio receiver with enclosure. Accepts up to 14 rolling code transmitters or unlimited dipswitch transmitters.



250SM126
Memory card for 126 radio codes



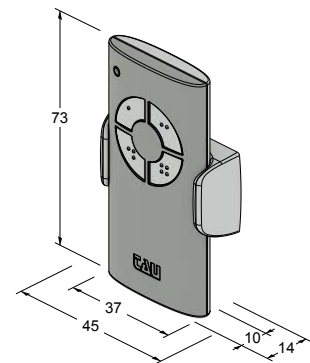
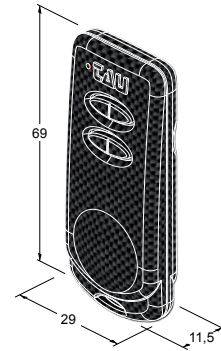
250RXSM2B
Self-learning, two-channel, 433,92 MHz radio receiver with enclosure. Accepts up to 14 rolling code transmitters or unlimited dipswitch transmitters.



250SM254D
Memory card for 254 radio codes



250SM1022
Memory card for 1022 radio codes



Accessories



250ANTD1
Aerial with mounting bracket and 5 m cable



200BATTBUG
Batteries for T-4, K-SLIM and BUG2-4 transmitters



250ANTD
Aerial with 5 m cable (to be mounted on LAMP flashing lights)