

**24**  
VOLT

# GATE OPERATOR T-ONE 3B

For gates up to 400 kg  
Speed 14 m/min

## 350T-ONE3B

DC sliding gate operator with encoder, complete with electronic control unit and built-in 433,92 MHz rolling code radio receiver. Maximum gate weight 400 kg

### Features:

- residential / apartment building use
- for gates up to 400 kg
- low voltage DC gate operator
- encoder technology (no limit switches required)
- electronic control unit with built-in receiver
- only available in the kit version

### Pros:

- obstacle detection and crush prevention
- in accordance with EN 12453 standards
- works even during power outage thanks to the optional backup battery
- external emergency release available (optional, P/N 650ESE03)
- soft start and soft stop
- self-adjusting gate stroke through magnetic encoder



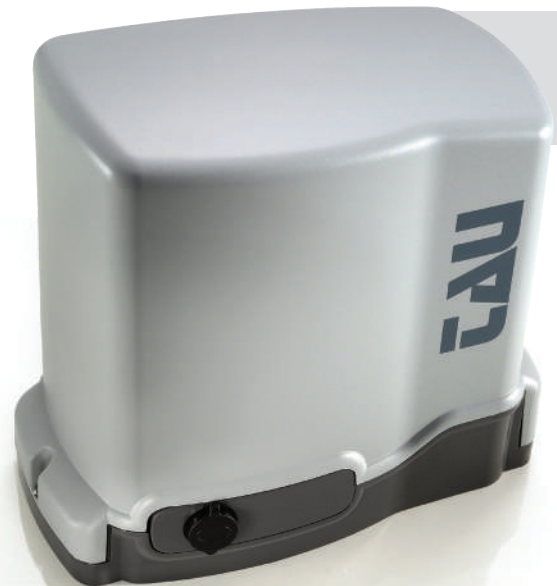
### Protected control Board:

The electronic control unit is well protected from the outside within its plastic shell.



### Safety:

Encoder technology as standard on all versions in order to grant a continued and reliable obstacle control.



### Technical features

### T-ONE3B

Power supply	230 V AC (50 - 60 Hz)
Motor power supply	24 V DC
Open circuit voltage	1,3 A
Power rating	200 W
Max. operating speed	14 m/min
Duty cycle	100 %
Max. thrust	320 N
Operating temperature	-20° C + +55° C
Motor thermal protection	-
Degree of protection	IP 54
Max. gate leaf weight	400 kg
Pinion module	4
Electronic control unit	K120M



The above represented installation does not include safety devices such as safety edges. Their addition depends upon the risk assessment made on any installation in accordance with EN 12453 standards.



MADE IN ITALY



COMPLIANT



### T-ONEKIT3BL

Complete automation kit for sliding gates up to 400 kg, with 350T-ONE3B gate operator

#### Accessories included in the kit:



900OPTIC



300T-KEY  
aluminium  
+ LED TSL



900VLED



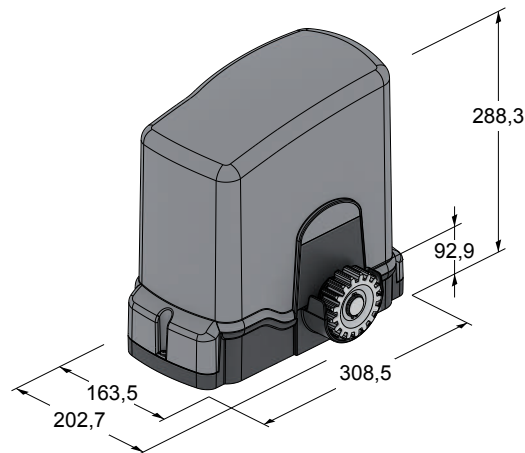
250K-SLIMRP



400CPO



C-CRT



#### Accessories



400CPO  
Counterplate



400CN  
Steel core, fibreglass  
reinforced, 22x22 nylon rack  
(Module 4, max 800 kg)



200KB3  
Battery charger and back-  
up battery kit



400CPE  
40 mm overhead  
counterplate



700BAP4  
Gate stopper with spring



650ESE03  
External emergency release  
device (flush-mounted) with  
tamper-proof housing and 4  
m cable



400CPE75  
75 mm overhead  
counterplate

NEW



400VP4  
Screws for 400CN (40  
screws per pkg)



550CPMR  
Adjustable counterplate  
max 94 mm

NEW



900TWC  
Wireless safety edge  
transmitter



550CPMR1  
Adjustable counterplate  
max 202 mm

NEW



900TWM  
Wireless safety edge  
master receiver



400CPOR  
Adjustable counterplate



900BSD15  
Deformable safety edge kit  
l=1,5 m



**Further accessories:**  
Transmitters page 118  
Photocells page 124  
Flashing lights page 127