

230
VOLT

GATE OPERATOR T-ONE 5-8-XL

For gates up to 1200 kg
Speed 10,5 m/min

350T-ONE5

230 V sliding gate operator with encoder and electromechanical limit switch, complete with electronic control unit and built-in 433,92 MHz rolling code radio receiver. Maximum gate weight 500 kg

350T-ONE8

230 V sliding gate operator with encoder and electromechanical limit switch, complete with electronic control unit and built-in 433,92 MHz rolling code radio receiver. Maximum gate weight 800 kg

350T-ONEXL

230 V sliding gate operator with encoder and electromechanical limit switch, complete with electronic control unit and built-in 433,92 MHz rolling code radio receiver. Maximum gate weight 1200 kg

Features:

- residential / apartment building use
- for gates up to 500 / 800 / 1200 kg
- 230 V gate operator
- built-in mechanical limit switches, magnetic limit switches available (optional)
- optical encoder technology for obstacle detection
- electronic control unit with built-in two-channel receiver
- quick programming

Pros:

- quick and easy installation
- obstacle detection and crush prevention
- in accordance with EN 12445-12453 standards* suitable for large sliding gates
- high torque and power
- external emergency release available (optional, P/N 650ESE03)



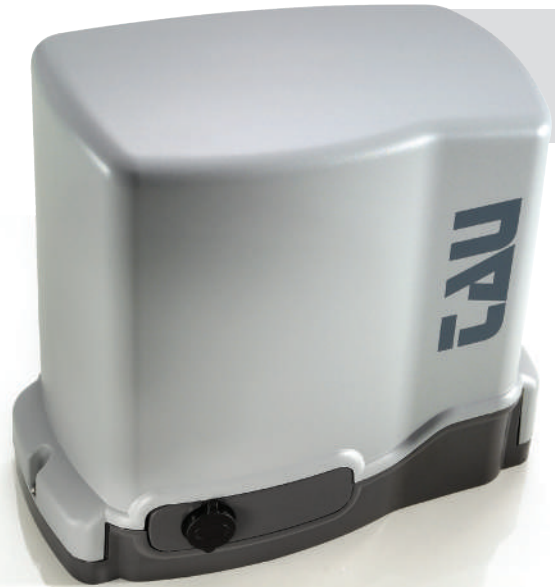
Control electronics:

Quick and intuitive programming thanks to signalling LEDs. Two-channel radio receiver built-in the control unit (433,92 MHz, 24 codes to memorize)



Installation:

Safer installation thanks to the 4 fixing points and to the practical height adjustment. The cover is made of non-scratch UVA-resistant engineering plastics.



Technical features	T-ONE5	T-ONE8	T-ONEXL
Power supply	230 V AC (50 - 60 Hz)	230 V AC (50 - 60 Hz)	230 V AC (50 - 60 Hz)
Motor power supply	230 V AC	230 V AC	230 V AC
Absorption	1,2 A	1,3 A	2,1 A
Power rating	220 W	240 W	340 W
Speed maneuver	10,5 m/min	10,5 m/min	10,5 m/min
Duty cycle	40 %	40 %	40 %
Max. thrust	920 N	1160 N	1310 N
Operating temperature	-20° C ÷ +55° C	-20° C ÷ +55° C	-20° C ÷ +55° C
Motor thermal protection	150°C	150°C	150°C
Degree of protection	IP 54	IP 54	IP 54
Max. gate leaf weight	500 kg	800 kg	1200 kg
Pinion module	4	4	4
Electronic control unit	K580M	K580M	K580M



The above represented installation does not include safety devices such as safety edges. Their addition depends upon the risk assessment made on any installation in accordance with EN 12445-12453 standards.



MADE IN ITALY

110
VOLT
AVAILABLE

EN
12445
12453
COMPLIANT



T-ONEKIT5T

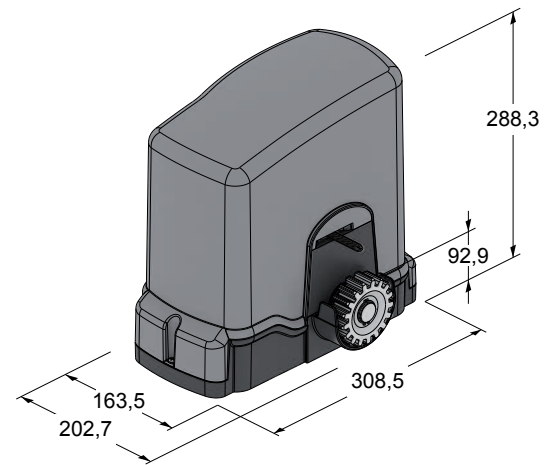
Complete automation kit for sliding gates up to 500 kg, with 350T-ONE5 gate operator

T-ONEKIT8T

Complete automation kit for sliding gates up to 800 kg, with 350T-ONE8 gate operator

T-ONEKITXLT

Complete automation kit for sliding gates up to 1200 kg, with 350T-ONEXL gate operator



Accessories included in the kit:



900OPTIC



300T-KEY
aluminium
+ LED TSL



250ANTD



900LAMP3



250K-SLIMRP



C-CRT

Accessories



400CPO
Counterplate



400CPE
40 mm overhead
counterplate



400CPE75
75 mm overhead
counterplate

NEW



550CPMR
Adjustable counterplate
max 94 mm

NEW



550CPMR1
Adjustable counterplate
max 202 mm

NEW



400CPOR
Adjustable counterplate



400CN
Steel core, fibreglass
reinforced, 22x22 nylon rack
(Module 4, max 800 kg)



400CFZ12
Steel rack 30x12, complete
with screws (Module 4, max
2000 kg)



400VP4
Screws for 400CN
(40 screws per pkg)



900BSD15
Deformable safety edge kit
l=1,5 m



900TWC
Wireless safety edge
transmitter



900TWM
Wireless safety edge
master receiver



650ESE03
External emergency release
device (flush-mounted) with
tamper-proof housing and 4
m cable



400FCM
Magnetic limit switches



Further accessories:
Transmitters page 120
Photocells page 120
Flashing lights page 129



*The use of the wireless safety edge system is necessary in order to certify an installation when the gate weight is more than 500 kg