

# 12 VOLT

## GATE OPERATOR T-ONE 5B-8BR-10B

For gates up to 1000 Kg  
Speed from 14 to 24 m/min

### 350T-ONE5B

DC sliding gate operator with encoder, complete with electronic control unit and built-in 433,92 MHz rolling code radio receiver. Maximum gate weight 600 kg

### 350T-ONE8BR



DC sliding gate operator with encoder, complete with electronic control unit and built-in 433,92 MHz rolling code radio receiver. Speed up to 24 m/min. Maximum gate weight 800 kg

### 350T-ONE10B

DC sliding gate operator with encoder, complete with electronic control unit and built-in 433,92 MHz rolling code radio receiver. Maximum gate weight 1000 kg

#### Features:

- residential / apartment building use
- for gates up to 1000 kg
- low voltage DC gate operator
- optical encoder technology (no limit switches required)
- electronic control unit with built-in two-channel receiver
- built-in battery charger

#### Pros:

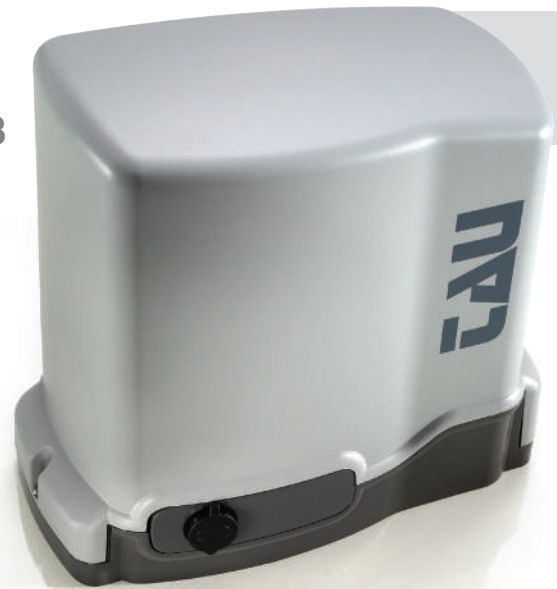
- obstacle detection and crush prevention
- in accordance with EN 12453 standards
- works even during power outage thanks to the optional backup battery
- 35% faster than the 230 V version
- intensive use, ideal for use on apartment buildings and public entrances
- external emergency release available (optional, P/N 650ESE03)
- soft start and soft stop
- self-adjusting gate stroke through optical encoder



**Protected control board:** The electronic control unit is well protected from the outside within its plastic shell



**Safety:** Optical encoder technology as standard on all versions in order to grant a continued and reliable obstacle control.



Technical features	T-ONE5B	T-ONE8BR	T-ONE10B
Power supply	230 V AC (50 - 60 Hz)	230 V AC (50 - 60 Hz)	230 V AC (50 - 60 Hz)
Motor power supply	18 V DC	24 V DC	18 V DC
Open circuit voltage	1,05 A	1,05 A	1,1 A
Power rating	250 W	300 W	300 W
Max. operating speed	14 m/min	24 m/min	14 m/min
Duty cycle	100 %	100 %	100 %
Max. thrust	980 N	980 N	1080 N
Operating temperature	-20° C ÷ +55° C	-20° C ÷ +55° C	-20° C ÷ +55° C
Motor thermal protection	-	-	-
Degree of protection	IP 54	IP 54	IP 54
Max. gate leaf weight	600 kg	800 kg	1000 kg
Pinion module	4	4	4
Electronic control unit	K125M	K126MA	K126MA



The above represented installation does not include safety devices such as safety edges. Their addition depends upon the risk assessment made on any installation in accordance with EN 12453 standards.



MADE IN ITALY

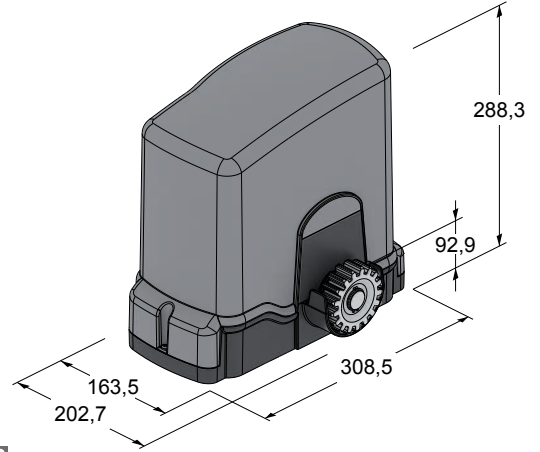


### T-ONEKIT5BL

Complete automation kit for sliding gates up to 600 kg, with 350T-ONE5B gate operator

### T-ONEKIT10BL

Complete automation kit for sliding gates up to 1000 kg, with 350T-ONE10B gate operator



#### Accessories included in the kit:



900OPTIC



300T-KEY  
aluminium +  
LED TSL



900VLED



250K-SLIMRP



400CPO



C-CRT

#### Accessories



400CPO  
Counterplate



400CPE  
40 mm overhead  
counterplate



400CPE75  
75 mm overhead  
counterplate

NEW



550CPMR  
Adjustable counterplate  
max 94 mm

NEW



550CPMR1  
Adjustable counterplate  
max 202 mm

NEW



400CPOR  
Adjustable counterplate



900BSD15  
Deformable safety edge kit  
l=1,5 m



900TWC  
Wireless safety edge  
transmitter



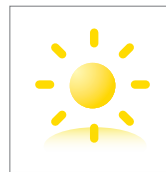
900TWM  
Wireless safety edge  
master receiver



400CN  
Steel core, fibreglass  
reinforced, 22x22 nylon rack  
(Module 4, max 800 kg)



400VP40  
Screws for 400CN (40  
screws per pkg)



#### Solar power

Thanks to the Photovoltaic (PV) Technology, every low voltage DC gate operator can be solar powered. Discover the advantages of the solar energy at page 138



200BATT  
12 V back-up battery, 7,2 Ah  
with cable



M-030KITKB20  
Battery cables kit  
(20 pcs)



250SM126  
Memory card for 126 radio  
codes



250SM254  
Memory card for 254 radio  
codes



#### Further accessories:

Transmitters page 118  
Photocells page 124  
Flashing lights page 127



900T-COMM  
Interface for connecting two  
(2) control boards on master/  
slave mode; enabling with  
Tauprog for T-ONE8BR and  
T-ONE10B models.



650ESE03  
External emergency release  
device (flush-mounted) with  
tamper-proof housing and 4  
m cable