

**48**  
VOLT

# DOOR OPENER T-WAY

For telescopic sliding doors

## Create your own T-WAY automatic telescopic door!

**AUTOMATION** (10T-WAY2D / 2S / 4)



**BEAM GROUP** (10T-WAYB20 / B30)



**ACCESSORIES**



### 10T-WAY2D

Automation for sliding telescopic door 1 + 1 mobile doors (maximum weight 130) kg / door) opening to the right excluding carter and crosspiece

### 10T-WAY2S

Automation for sliding telescopic door 1 + 1 mobile doors (maximum weight 130) kg / door) opening to the left excluding carter and crosspiece

### 10T-WAY4

Automation for sliding telescopic door 2 + 2 mobile doors (maximum weight 65 kg / door) opening to the right and left excluding carter and crosspiece

### 10T-WAYB20

Beam group (A) – cover (B) – belt (C) for T-WAY operator for telescopic sliding door cut at the required size up to max 2 m length

### 10T-WAYB30

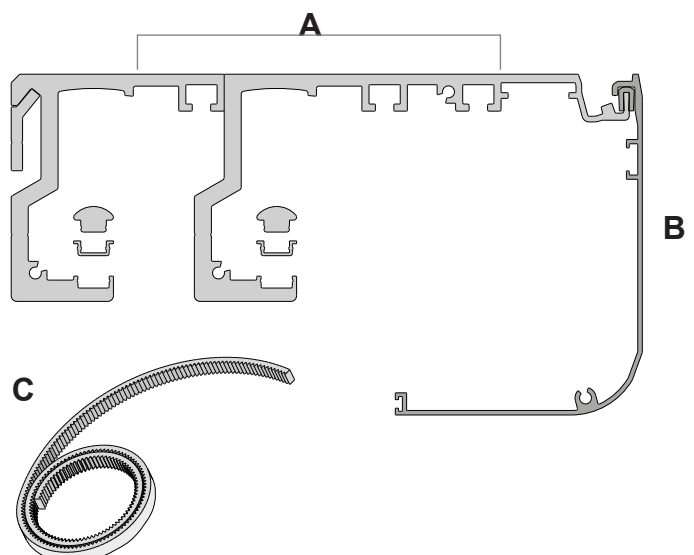
Beam group (A) – cover (B) – belt (C) for T-WAY operator for telescopic sliding door cut at the required size up to max 3 m length

#### Features:

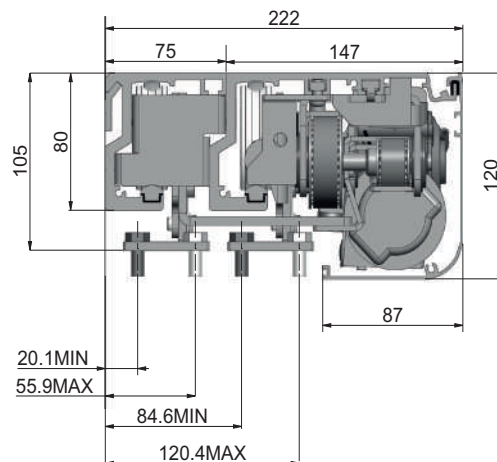
- commercial use
- emergency operation with integrated backup battery pack
- built-in electronic unit
- installation for two or four sliding doors
- in accordance with EN 16005 standards

#### Pros:

- designed for narrow spaces or corridors in which there is not enough lateral space
- intensive use
- ideal for offices, supermarkets, hospitals and busy environments
- fast, trouble-free, installation at the job site thanks to the preassembled package



Technical features	T-WAY2D / T-WAY2S	T-WAY4
Power supply	230 V AC	230 V AC
Motor power supply	48 V DC	48 V DC
Absorbed power	120 W	120 W
Opening speed	max. 70 cm/sec. for wing	max. 70 cm/sec. for wing
Closing speed	max. 60 cm/sec. for wing	max. 60 cm/sec. for wing
Duty cycle	100 %	100 %
Operating temperature	-15°C / +55°C	-15°C / +55°C
Degree of protection	IP 22	IP 22
Max. gate leaf weight	2 wing 130kg/wing	4 wings 65kg/wing



### Accessories



**S-10DOORRAD2**  
Radar for activation and safety compliant EN16005



**S-10DOORRAD**  
Active infrared motion detector



**S-10DOORRADM**  
Microwave radar detector, scanned area 4 m



**S-10DOORRADMU**  
Microwave radar detector, unidirectional, scanned area 4 m



**S-10DOORRAD/STA**  
Radar for active infrareds. Narrow field for lateral security



**S-10DOORFOTOG**  
Pair of photocells



**S-10T-LINETD**  
Digital key pad



**S-10T-LINESELF**  
Function selector



**S-10DOORTL**  
Microwave, hygienic, touchless, automatic door activation switch, scanned area 4 m, 3 different faceplates included



**S-10DOORCRIS10**  
Aluminium clamp for frameless glass panels (thickness 10 mm), length 1 m



**S-10DOORCRIS15**  
Aluminium clamp for frameless glass panels (thickness 10 mm), length 1,5 m



**S-10T-WAYCING**  
Drive belt htd 5 m 15 mm pack of 50 m



**P-10T-LINEANT10**  
1 m support kit for framed leaf



**P-10T-LINEANT15**  
1,5 m support kit for framed leaf



**P-10T-LINEANT20**  
2 m support kit for framed leaf



**S-10T-LINEBLOCL\***  
Electromechanical lock with center release. Can only be used with 10T-WAY2D and 10T-WAY2S



**S-10T-LINEBLOCF2**  
Electromechanical lock with side handle release. Can only be used with 10T-WAY2D and 10T-WAY2S



**S-10T-LINEBATT**  
Back up battery kit



**S-10T-LINE1250**  
Sliding plate for framed leaf



**S-10T-LINE1240**  
Sliding plate for crystal leaf



**S-10T-LINEPROFI**  
T-line lower support (2 m bars)



**S-10T-LINE1710S**  
Fixing plate for left-hand framed sliding leaf for telescopic door



**S-10T-LINE1710D**  
Fixing plate for right-hand framed sliding leaf for telescopic door



**S-10T-LINESPA**  
Brush seal 4 m