

LINEAR GATE OPERATOR **ARM225BI** **VECTI-T**

max. **3 m**

DC MOTOR
230 V MOTOR

Opening
time from
12 to 16 s



650ARM225BI

Irreversible DC electromechanical telescopic gate operator with encoder. Maximum gate leaf 3 m.

650VECTI-T

NEW

Irreversible 230 V electromechanical telescopic gate operator, 1400 rpm. Maximum gate leaf 3 m.



**Accessories for
ARM200/VECTI series**
Page 82



Further accessories:
Transmitters page 234
Photocells page 239
Flashing lights page
242



ARM225BI

FEATURES:

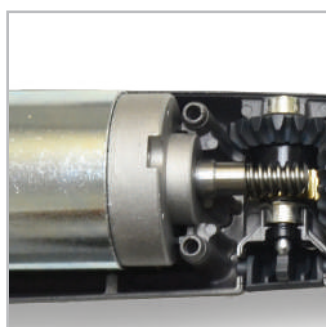
- residential/apartment building/commercial use
- for gates leaves up to 3 m
- rod extension gate operator
- brackets to be welded, included
- adjustable mounting brackets (optional)
- electrical connections are easier thanks to the larger upper space
- manual release with key lock
- quick and easy installation

12 V PROS:

- low voltage DC gate operator
- auto-learning of the gate stroke through optical encoder
- obstacle detection and crush prevention
- in accordance with EN 12453 standards
- works even during power outage thanks to the optional backup battery
- fast operating speed
- soft start and soft stop
- intensive use, ideal for use on apartment buildings and public entrances

230 V PROS:

- 230 V gate operator
- built-in capacitor
- high torque and power



CONTINUOUS CYCLE

The low voltage motors allow continuous operation without overheating, up to 1500 cycles per day (ARM-225BI).



EASY INSTALLATION

Thanks to the connections from above, it is more convenient and faster to install and wire.



MULTI-POSITION BRACKETS

Multi-position adjustable brackets allow greater flexibility during assembly even on non standard sized posts (optional).

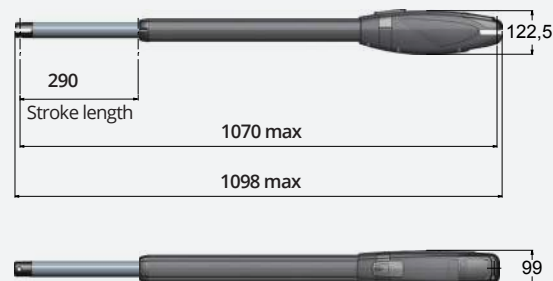


MANUAL RELEASE

The manual release device is simple and intuitive and is protected by a unique coded key that can also be used for the external key selector.

TECHNICAL DRAWINGS

Technical features	ARM225BI	VECTI-T
Power supply	230 V AC (50 - 60 Hz)	230 V AC (50 - 60 Hz)
Motor power supply	18 V DC	230 V AC
Open circuit voltage	1 A	1,5 A
Power rating	120 W	350 W
Opening time 90°	12 s*	16 s*
Duty cycle	100 %	36 %
Operating temperature	-20° C ÷ +55° C	-20° C ÷ +55° C
Motor thermal protection	-	160° C
Degree of protection IP	IP 44	IP 44
Stroke length	290 mm	290 mm



* Varies according to the installation geometries



KIT

max. **3+3m** | **230 V**

KVECTI-T

Complete double arm automation kit for gates up to 3 + 3 m, with two **650VECTI-T** gate operators



Accessories included in the kit:



900VLED Low voltage 12-18-24 Volt white led flashing light



750D770M Electronic control unit for one or two 230 V gate operators with soft-stop and built-in 433,92 MHz rolling code radio receiver, complete with enclosure



300T-KEY + LED TSL Die-cast aluminium key switch + LED courtesy light for T-KEY



900OPTIC Set of infrared safety photocells, 12/24 V, surface mount, beam alignment adjustable up to 15°, up to 20 m range



S-ARM0000208 Rear fixing bracket to be welded

+



S-ARM0000282 Front fixing bracket with bushing



250K-SLIMRP Two-channel transmitter, rolling code technology, 433,92 MHz



C-CRT Warning signal

KVECTI-T2

Complete double arm automation kit for gates up to 3 + 3 m, with two **650VECTI-T** gate operators



Accessories included in the kit:



900VLED Low voltage 12-18-24 Volt white led flashing light



750D770M Electronic control unit for one or two 230 V gate operators with soft-stop and built-in 433,92 MHz rolling code radio receiver, complete with enclosure



900OPTIC Set of infrared safety photocells, 12/24 V, surface mount, beam alignment adjustable up to 15°, up to 20 m range



S-ARM0000208 Rear fixing bracket to be welded

+



S-ARM0000282 Front fixing bracket with bushing



250K-SLIMRP Two-channel transmitter, rolling code technology, 433,92 MHz



250K-SLIMRP Two-channel transmitter, rolling code technology, 433,92 MHz



C-CRT Warning signal

ACCESSORIES

COMMON ACCESSORIES



650ARMKITSTF
Multi-position adjustable brackets (for one operator)



650ARMKITSTI
Tilting bracket for sloping gates (1 pcs)



650ARMKITSTFM
Multi-position adjustable oversized brackets for gate leaves over 4 m



650ARM200KITFCAR
Kit adjustable mechanical stopper in opening (2 pcs)



700BAP2
Gate stopper wall/floor mount



650ESV1-2
Vertical electric lock recommended for leaves longer than 3 m (1=LEFT - 2=RIGHT)



900OPTIC
Set of infrared safety photocells, 12/24 V, surface mount, beam alignment adjustable up to 15°, up to 20 m range



700BAP1
Gate stopper for light leaves



700BAP
Gate stopper for heavy leaves



900TOWERF
Photocell standard mounting post, painted aluminium, 49 cm, with removable cover for easy installation and photocell adjustment



750CUP
Control unit enclosure protective lid



250SM126
Memory card for 126 radio codes



250T-WIFI
Device for Wi-Fi connection 2,4 GHz to allow the smartphone to remotely control and program the control units via TauApp



250T-CONNECT NEW
Ethernet + Wi-Fi device - to enable through Tau Open application, the use of the smartphone remotely, to open/close and check the status of the gate



750COL
Control unit mounting post

12/18/24 VOLT ACCESSORIES



750D749MA
Electronic control unit for one or two DC gate operators with encoder, complete with 433,92 MHz rolling code radio receiver, battery charger, transformer and enclosure



750D749MA-R
Electronic control unit for 1-2 DC fast operators with encoder. Same equipment of D749MA control unit



200BATT
12 Volt Battery, 7,2 Ah with cable



M-030KITKB20
Battery cables kit (20 pcs)



M-030000CC50
Multicore cable (2 x 2.5 sq.mm + 3 x 0.5 sq.mm)



Use only M-030000CC50 cable or equivalent

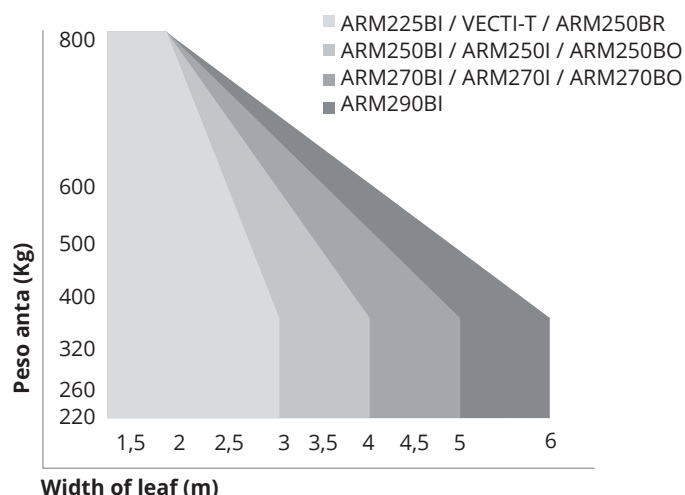
230 VOLT ACCESSORIES



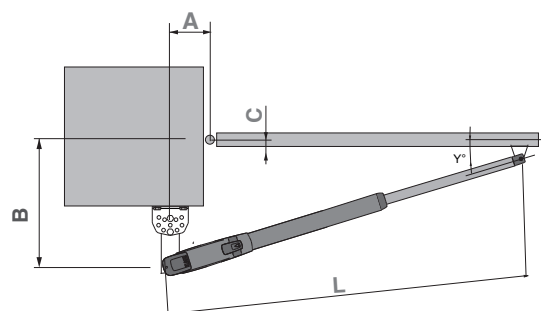
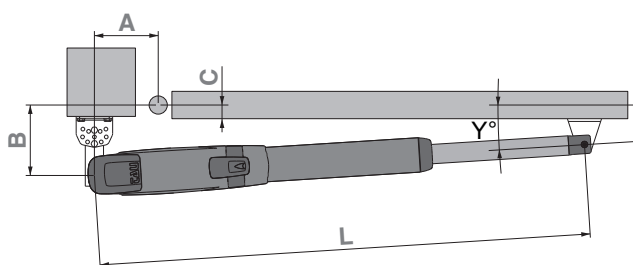
750D770M
Electronic control unit for one or two 230 V gate operators with soft-stop and built-in 433,92 MHz rolling code radio receiver, complete with enclosure

LIMIT TO USE*

*They refer to leaves with openings and not totally closed panels.



INSTALLATION SIZES (MM)*



Model	Leaf opening	A	B	C	L
VECTI-T ARM225BI	90°	Min. 110	from 120 to 165	20	1070
		Max. 140	from 120 to 140	20	1070
	100°	130	from 120 to 130	20	1070
Recommended	90°	140	140	20	1070
ARM250I ARM250BI ARM250BO	90°	Min. 120	from 135 to 275	20	1350
		Max. 200	from 135 to 215	20	1350
	100°	Min. 145	from 135 to 160	20	1350
		Max. 200	from 135 to 180	20	1350
	110°	Min. 170	from 135 to 140	20	1350
		Max. 200	from 135 to 155	20	1350
Recommended	90°	190	190	20	1350
ARM270I ARM270BI ARM270BO	90°	Min. 150	from 170 to 345	20	1560
		Max. 225	from 170 to 290	20	1560
	100°	Min. 175	170	20	1560
		Max. 225	from 170 to 250	20	1560
	110°	Min. 210	from 170 to 175	20	1560
	120°	Max. 225	from 170 to 225	20	1560
120°	Max. 230	from 170 to 175	20	1560	
Recommended	90°	225	225	20	1560

Model	Leaf opening	A	B	C	L
ARM290BI	90°	Min. 200	from 225 to 595	20	2266
		Max. 450	from 225 to 420	20	2266
	100°	Min. 250	from 225 to 480	20	2266
		Max. 450	from 225 to 340	20	2266
	125°	Min. 370	from 225 to 240	20	2266
		Max. 400	from 225 to 265	20	2266

* Follow the instructions for the installation

NB: In order to get the best performances, the operators have to be installed with A and B values as high as possible. To work correctly, the angle formed by the actuator and the gate (See the picture above for Y° value) must be > 3° (ARM225/VECTI - ARM250) and > 4° (ARM270 - ARM290) both with the gate completely closed and completely open.

Use and maintenance manuals



ARM200



D749MA-R



D749MA



D770M