

LINEAR GATE OPERATOR **ARM2000BI** **VECTI / -F**

max. **3 m**

DC MOTOR
230 V MOTOR

Opening
time from
12 to 16 s



650ARM2000BI

Irreversible DC electromechanical covered screw gate operator with encoder. Maximum gate leaf 3 m.

650VECTI

NEW

Irreversible 230 V electromechanical covered screw gate operator, 1400 rpm. Maximum gate leaf 3 m.

650VECTI-F

NEW

Irreversible 230 V electromechanical covered screw gate operator 1400 rpm, with opening electrical limit switch. Maximum gate leaf 3 m.



**Accessories for
ARM2000/VECTI
series**

Page 64



Further accessories:
Transmitters page 234
Photocells page 239
Flashing lights
page 242



MADE IN ITALY

ARM2000BI

FEATURES:

- residential/apartment building use
- for gates leaves up to 3 m
- covered screw gate operator
- brackets to be welded, included
- adjustable mounting brackets (optional)
- bronze lead nut for strength and silent operation
- electrical connections are easier thanks to the larger upper space
- manual release with key lock
- quick and easy installation

18 V PROS:

- low voltage DC gate operator
- auto-learning of the gate stroke through optical encoder
- obstacle detection and crush prevention
- in accordance with EN 12453 standards
- works even during power outage thanks to the optional backup battery
- fast operating speed
- soft start and soft stop
- intensive use, ideal for use on apartment buildings and public entrances

230 V PROS:

- 230 V gate operator
- built-in capacitor
- high torque and power



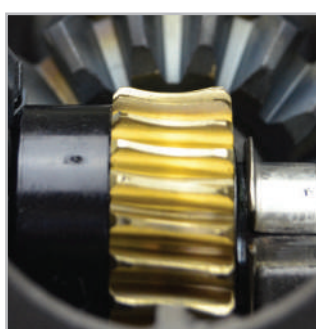
SILENCE OF MOVEMENT

The steel towing fork and the bronze nut ensure absolute silence during movement.



EASY INSTALLATION

Thanks to the connections from above, it is more convenient and faster to install and wire.



PLUNGE ROUNDED TOOTHING

The special plunge rounded tooting guarantees a greater bearing surface and therefore less wear and longer life.



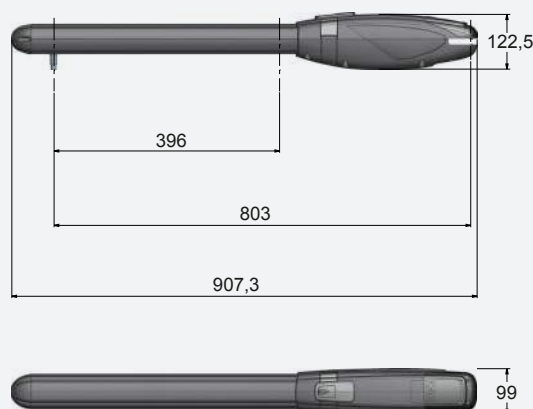
MANUAL RELEASE

The manual release device is simple and intuitive and is protected by a unique coded key that can also be used for the external key selector.

TECHNICAL DRAWINGS

| Technical features | ARM2000BI | VECTI/-F |
|--------------------------|---------------------|-----------------------|
| Power supply | 230 V AC (50-60 Hz) | 230 V AC (50 - 60 Hz) |
| Motor power supply | 18 V DC | 230 V AC |
| Open circuit voltage | 1,1 A | 1,5 A |
| Power rating | 120 W | 350 W |
| Opening time 90° | 12 s* | 16 s* |
| Duty cycle | 100 % | 36 % |
| Operating temperature | -20° C ÷ +55° C | -20° C ÷ +55° C |
| Motor thermal protection | - | 160° C |
| Degree of protection IP | IP 44 | IP 44 |
| Stroke length | 396 mm | 396 mm |

* Varies according to the installation geometries





KIT

max.
3+3m | **230 V**

KVECTI



Complete double arm automation kit for gates up to 3 + 3 m, with two **650VECTI** gate operators

Accessories included in the kit:



900VLED Low voltage 12-18-24 Volt white led flashing light



750D770M Electronic control unit for one or two 230 V gate operators with soft-stop and built-in 433,92 MHz rolling code radio receiver, complete with enclosure



300T-KEY + LED TSL Die-cast aluminium key switch + LED courtesy light for T-KEY



900OPTIC Set of infrared safety photocells, 12/24 V, surface mount, beam alignment adjustable up to 15°, up to 20 m range



S-ARM0000208 Rear fixing bracket to be welded

+



S-ARM0000223 Front fixing bracket to be welded, with bushing



250K-SLIMRP Two-channel transmitter, rolling code technology, 433,92 MHz



C-CRT Warning signal

KVECTI2



Complete double arm automation kit for gates up to 3 + 3 m, with two **650VECTI** gate operators

Accessories included in the kit:



900VLED Low voltage 12-18-24 Volt white led flashing light



750D770M Electronic control unit for one or two 230 V gate operators with soft-stop and built-in 433,92 MHz rolling code radio receiver, complete with enclosure



900OPTIC Set of infrared safety photocells, 12/24 V, surface mount, beam alignment adjustable up to 15°, up to 20 m range



S-ARM0000208 Rear fixing bracket to be welded

+



S-ARM0000223 Front fixing bracket to be welded, with bushing



250K-SLIMRP Two-channel transmitter, rolling code technology, 433,92 MHz



250K-SLIMRP Two-channel transmitter, rolling code technology, 433,92 MHz



C-CRT Warning signal

ACCESSORIES

COMMON ACCESSORIES



650ARMKITSTF
Multi-position adjustable bracket (for one operator)



650ARMKITSTI
Tilting bracket for sloping gates (1 pcs)



650ARMKITFCR
Adjustable mechanical stoppers (2 pcs)



900OPTIC
Set of infrared safety photocells, 12/24 V, surface mount, beam alignment adjustable up to 15°, up to 20 m range



700BAP2
Gate stopper wall/floor mount



650ESV1-2
Vertical electric lock recommended for leaves longer than 3 m (1=LEFT - 2=RIGHT)



900TOWERF
Photocell standard mounting post, painted aluminium, 49 cm, with removable cover for easy installation and photocell adjustment



700BAP1
Gate stopper for light leaves



700BAP
Gate stopper for heavy leaves



900PIVOTL
Set of two adjustable photocells with temporary and fixed courtesy light



750CUP
Control unit enclosure protective lid



250SM126
Memory card for 126 radio codes



250T-WIFI
Device for Wi-Fi connection 2,4 GHz to allow the smartphone to remotely control and program the control units via TauApp



250T-CONNECT
Ethernet + Wi-Fi device - to enable through Tau Open application, the use of the smartphone remotely, to open/close and check the status of the gate



750COL
Control unit mounting post

18/24 VOLT ACCESSORIES



750D749MA
Electronic control unit for one or two DC gate operators with encoder, complete with 433,92 MHz rolling code radio receiver, battery charger, transformer and enclosure



750D749MA-R
Electronic control unit for 1-2 DC fast operators with encoder. Same equipment of D749MA control unit




200BATT
12 Volt Battery, 7,2 Ah with cable



K-030KITKB20
Battery cables kit (20 pcs)



M-030000CC50
Multicore cable (2 x 2.5 sq.mm + 3 x 0.5 sq.mm)

 Use only M-030000CC50 cable or equivalent

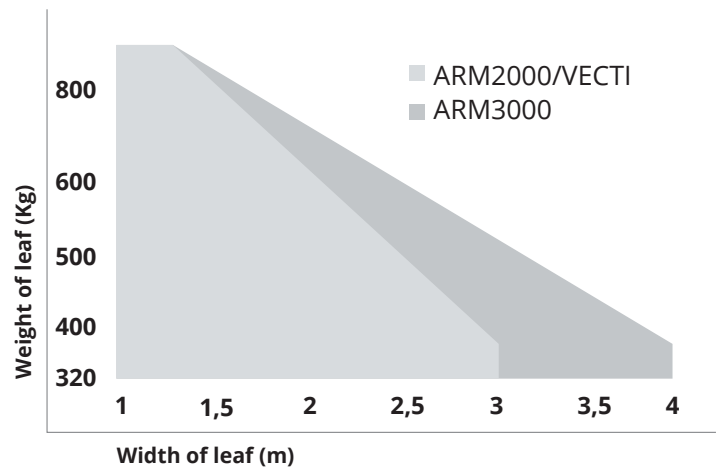
230 VOLT ACCESSORIES



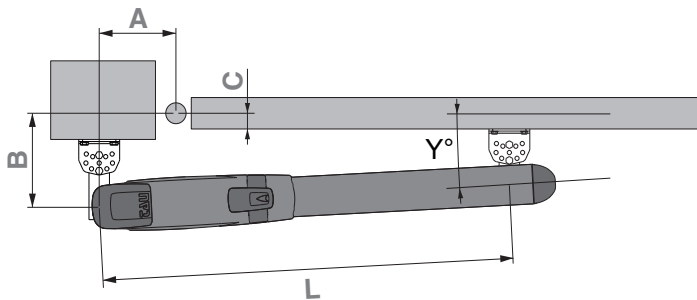
750D770M
Electronic control unit for one or two 230 V gate operators with soft-stop and built-in 433,92 MHz rolling code radio receiver, complete with enclosure

LIMIT TO USE*

*They refer to leaves with openings and not totally closed panels.



INSTALLATION SIZES (MM)*



* Follow the instructions for the installation

NB: In order to get the best performances, the operators have to be installed with A and B values as high as possible. To work correctly, the angle formed by the actuator and the gate (See the picture above for Y° value) must be > 2° (ARM2000/VECTI) both with the gate completely closed and completely open.

| Model | Leaf opening | A | B | C | L |
|-----------------------|--------------|------------|--------------|-----------|------------|
| VECTI/-F ARM2000BI | 90° | Min. 145 | da 150 a 190 | 20 | 800 |
| | | Max. 175 | 150 | 20 | 800 |
| | 95° | Min. 150 | da 150 a 185 | 20 | 800 |
| | | Max. 170 | da 150 a 155 | 20 | 800 |
| | 100° | Min. 165 | da 150 a 155 | 20 | 800 |
| | | Max. 170 | 150 | 20 | 800 |
| Recommended | 100° | 165 | 155 | 20 | 800 |

| Model | Leaf opening | A | B | C | L | |
|--------------------|--------------------|------------|--------------|------------|------------|------------|
| ARM3000BI | 90° | Min. 150 | da 160 a 235 | 20 | 910 | |
| | | Max. 190 | da 160 a 185 | 20 | 910 | |
| | 95° | Min. 165 | da 160 a 215 | 20 | 910 | |
| | | Max. 200 | da 160 a 165 | 20 | 910 | |
| | 100° | Min. 180 | da 160 a 180 | 20 | 910 | |
| | | Max. 200 | da 160 a 165 | 20 | 910 | |
| Recommended | 90° | 175 | 195 | 20 | 910 | |
| ARM3000IFC | 90° | Min. 150 | da 160 a 235 | 20 | 890 | |
| | | Max. 190 | da 160 a 185 | 20 | 890 | |
| | 95° | Min. 165 | da 160 a 215 | 20 | 890 | |
| | | Max. 200 | da 160 a 165 | 20 | 890 | |
| | Recommended | 90° | 175 | 195 | 20 | 890 |

Use and maintenance manuals



ARM2000



ARM3000



D749MA-R



D749MA



D770M