



## 650ZIP12

DC electromechanical gate operator. Maximum gate leaf 3,5 m.



**Accessories for ZIP series**  
Page 118



**Further accessories:**  
Transmitters page 234  
Photocells page 239  
Flashing lights page 242



AVAILABLE



MADE IN ITALY

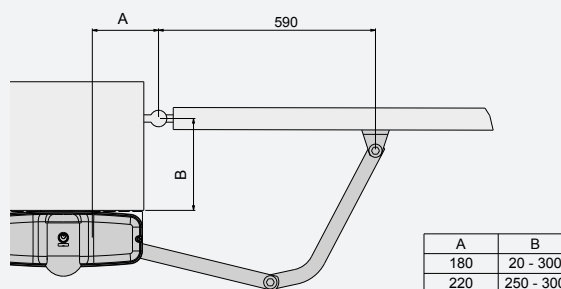
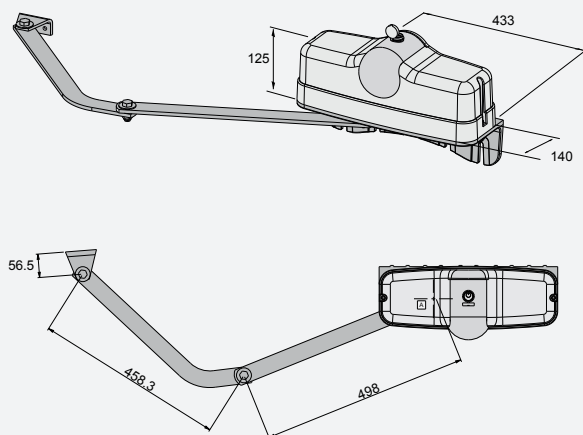
## FEATURES:

- residential/apartment building use
- for gates leaves up to 3,5 m
- low voltage DC gate operator
- optical encoder technology
- electromechanical motor
- external cable release, as standard

## PROS:

- ideal for big posts
- obstacle detection and crush prevention
- in accordance with EN 12453 standards
- works even during power outage thanks to the optional backup battery
- fast operating speed
- intensive use, ideal for use on apartment buildings and public entrances
- auto-learning of the gate stroke through optical encoder

## TECHNICAL DRAWINGS

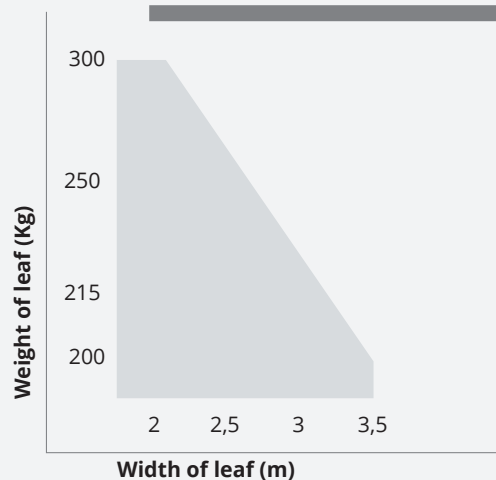


### Technical features

### ZIP12

Power supply	230 V AC (50 - 60 Hz)
Motor power supply	18 V DC
Open circuit voltage	1 A
Power rating	250 W
Opening time 90°	8 s
Duty cycle	100 %
Operating temperature	-20° C ÷ +55° C
Motor thermal protection	-
Degree of protection IP	IP 44

## LIMIT TO USE



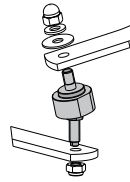
\*They refer to leaves with openings and not totally closed panels.

# ACCESSORIES

## COMMON ACCESSORIES



**650BRCE2**  
Straight arm with driving track



**150KITBAI**  
Zip arm joint for sloping doors



**700BAP1**  
Gate stopper for light leaves



**650ESV1-2**  
Vertical electric lock recommended for leaves longer than 3 m (1=LEFT - 2=RIGHT)



**700BAP2**  
Gate stopper wall/floor mount



**700BAP**  
Gate stopper for heavy leaves



**900VLED**  
Low voltage 12-18-24 Volt white led flashing light



**C-TARG**  
Aluminium CE Mark Label, self adhesive



**900OPTIC**  
Set of infrared safety photocells, 12/24 V, surface mount, beam alignment adjustable up to 15°, up to 20 m range



**250T-CONNECT** NEW  
Ethernet + Wi-Fi device - to enable through Tau Open application, the use of the smartphone remotely, to open/close and check the status of the gate



**900TOWERF**  
Photocell standard mounting post, painted aluminium, 49 cm, with removable cover for easy installation and photocell adjustment



**250T-WIFI**  
Device for Wi-Fi connection 2,4 GHz to allow the smartphone to remotely control and program the control units via TauApp



**750CUP**  
Control unit enclosure protective lid



**250SM126**  
Memory card for 126 radio codes



**750COL**  
Control unit mounting post

**250SM254**  
Memory card for 254 radio codes

**250SM1022**  
Memory card for 1022 radio codes


## 18 VOLT ACCESSORIES



**750D749MA**  
Electronic control unit for one or two DC gate operators with encoder, complete with 433,92 MHz rolling code radio receiver, battery charger, transformer and enclosure



**M-030000CC50**  
Multicore cable (2 x 2.5 sq.mm + 3 x 0.5 sq.mm)

 Use only M-030000CC50 cable or equivalent



**200BATT**  
12 Volt Battery, 7,2 Ah



**K-030KITKB20**  
Battery cables kit (20 pcs)

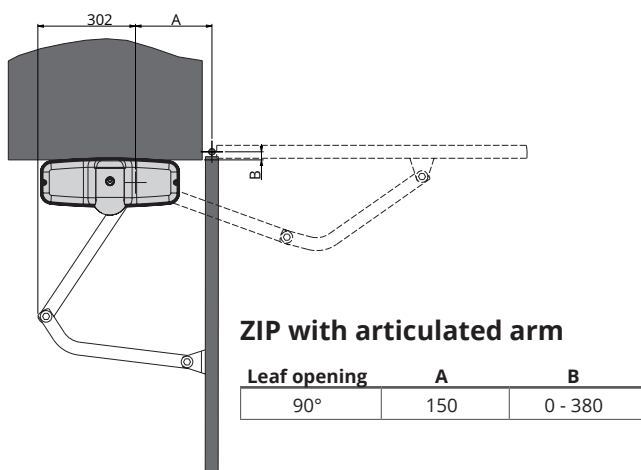
## 230 VOLT ACCESSORIES



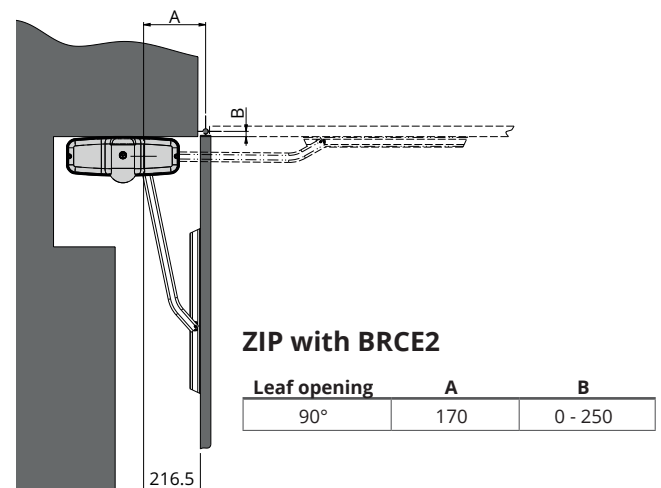
**750D770M**  
Electronic control unit for one or two 230 V gate operators with soft-stop and built-in 433,92 MHz rolling code radio receiver, complete with enclosure

## INSTALLATION SIZES (MM)

### ZIP - Installation (mm)



### BRCE2 - Installation (mm)



## Use and maintenance manuals



ZIP



D749MA



D770M