



650ZIPPO

230 V electromechanical gate operator. Maximum gate leaf 3 m.

650ZIPPOB

DC electromechanical gate operator. Maximum gate leaf 3 m.



Accessories for ZIPPO series
Page 126



Further accessories:
Transmitters page 234
Photocells page 239
Flashing lights page 242



AVAILABLE



MADE IN ITALY

ZIPPOB

FEATURES:

- residential/industrial use
- for gates leaves up to 3 m
- 12/230 V gate operator
- electromechanical motor
- easy and intuitive installation
- ideal for small sizes pillars

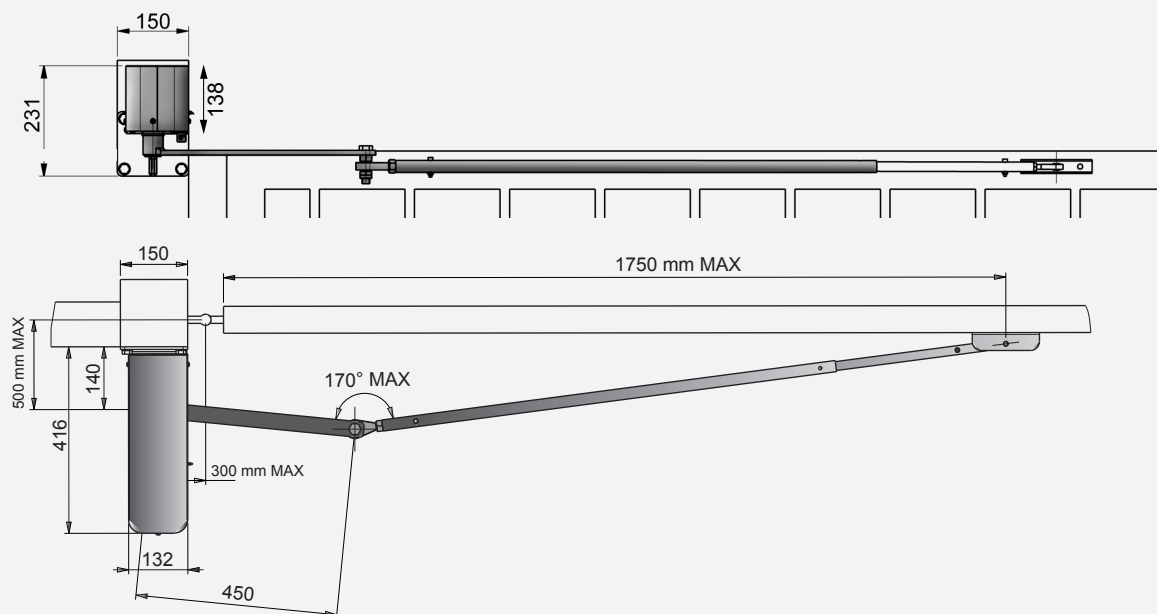
PROS 12 V:

- optical encoder technology
- DC operator
- obstacle detection and crush prevention

PROS 230 V:

- built-in electrical limit switches
- high torque and power

TECHNICAL DRAWINGS



Technical features	ZIPPO	ZIPPOB
Power supply	230 V AC (50 - 60 Hz)	230 V AC (50 - 60 Hz)
Motor power supply	230 V AC	18 V DC
Absorption	1 A	1 A
Power rating	190 W	250 W
Opening time 90°	8-13 s	7-11 s
Duty cycle	50 %	100%
Operating temperature	-20° C ÷ +55° C	-20°C +55°C
Motor thermal protection	150° C	-
Degree of protection IP	IP 44	IP 44

ACCESSORIES

COMMON ACCESSORIES



700BAP
Gate stopper for heavy leaves



700BAP1
Gate stopper for light leaves



700BAP2
Gate stopper wall/floor mount



650ESV1-2
Vertical electric lock recommended for leaves longer than 3 m (1=LEFT - 2=RIGHT)



300TCODE
Cable digital keyboard with backlit keys and BUS signal transmission



C-TARG
C-TARG Aluminium CE Mark Label, self adhesive



900TOWERF
Photocell standard mounting post, painted aluminium, 49 cm, with removable cover for easy installation and photocell adjustment



250SM126
Memory card for 126 radio codes



900OPTIC
Set of infrared safety photocells, 12/24 V, surface mount, beam alignment adjustable up to 15°, up to 20 m range



900VLED
Low voltage 12-18-24 Volt white led flashing light



250T-CONNECT NEW
Ethernet + Wi-Fi device - to enable through Tau Open application, the use of the smartphone remotely, to open/close and check the status of the gate



250T-WIFI
Device for Wi-Fi connection 2,4 GHz to allow the smartphone to remotely control and program the control units via TauApp



900PIVOTL
Set of two adjustable photocells with temporary and fixed courtesy light



250S-4RP
Four-channel transmitter, rolling code technology, 433,92 MHz



750CUP
Control unit enclosure protective lid



750COL
Control unit mounting post

18/24 VOLT ACCESSORIES



750D749MA
Electronic control unit for one or two DC gate operators with encoder, complete with 433,92 MHz rolling code radio receiver, battery charger, transformer and enclosure



750D749MA-R
Electronic control unit for 1-2 DC fast operators with encoder. Same equipment of D749MA control unit



200BATT
12 Volt Battery, 7,2 Ah



K-030KITKB20
Battery cables kit (20 pcs)



M-030000CC50
Multicore cable (2 x 2.5 sq.mm + 3 x 0.5 sq.mm)

⚠ Use only M-030000CC50 cable or equivalent

230 VOLT ACCESSORIES



750D770M
Electronic control unit for one or two 230 V gate operators with soft-stop and built-in 433,92 MHz rolling code radio receiver, complete with enclosure

Use and maintenance manuals



ZIPPOXL



ZIPPO



D749MA



D749MA-R



D770M